

AT2-DM2000/2100

Explosion-proof ATEX/IECEX Exd
low differential pressure transmitter



- Optional 3.5 digit LCD shows process and engineering units
- A single bush button allows field selection of 4 to 6 engineering units depending on range

ATEX	<p>CE 1370</p> <p>II 2G Ex d IIC T6 Gb</p> <p>II 2D Ex tb IIIC T85°C Db, -60°C ≤ T_{amb} ≤ +60°C</p> <p>Certificate: BVI 14 ATEX 0072</p>
IECEX	<p>Ex d IIC T6 Gb</p> <p>Ex tb IIIC T85°C Db</p> <p>Certificate: IECEX EPS 14.0082</p>
ENCLOSURE RATING	IP66 (IP65 with option OPV)



AT2-DM2000/2100 SPECIFICATIONS

Service:	air and non-combustible, compatible gases
Wetted materials:	consult factory
Accuracy:	±1% f.s. at 70°F
Stability:	1% f.s. year
Temperature limits:	Transmitter: 20 to 120°F (-6.67 to 48.9°C) Case: -76 to 140°F (-60 to 60°C)*
Pressure limits:	10 psig (0.69 bar).
Thermal effect:	±0.055% f.s.°F (0.099% f.s.°C).
Response time:	Additional delay in response time due to flame arrestors, from full scale to 0 up to 90 sec depending on model range
Power requirements:	10-35 VDC (2 wire)
Output signal:	4 to 20 mA
Zero and span adjustments:	Digital push-button zero and span
Loop resistance:	DC: 0-1250 ohms maximum
Current consumption:	DC: 38 mA maximum
Electrical connections:	Screw-type terminal block
Display:	3.5 digit LCD, 0.7" height
Mounting orientation:	Vertical

HOUSING

Housing material:	aluminium (stainless steel optional)
Finishing:	texture epoxy coat RAL7038 suitable for installation in harsh environments.
Process connections:	1/8" female NPT brass (stainless steel optional)
Electrical connection:	3/4" NPT F (cable gland non included)
Dimensions:	see drawing below
Weight:	ab. 5 kg

* Operating ambient temperature is defined also according to the options and pressure instrument choosed.

**CAUTION FOR USE ONLY WITH AIR OR COMPATIBLE GASES!
CONTACT FACTORY FOR USE WITH GASES, OTHER THAN AIR AND NITROGEN.**

IMPORTANT NOTES FOR INSTALLATION:

Cables must be fitted through 1/2" NPT cable gland or ATEX/IECEX conduit (not supplied with instrument).

- Make sure after cabling to close tight cover and cable gland, in order to keep IP66 rating (IP65 with option OPV, pressure relief valve and/or regulation knob).

- Open cover only after de-energising instrument.

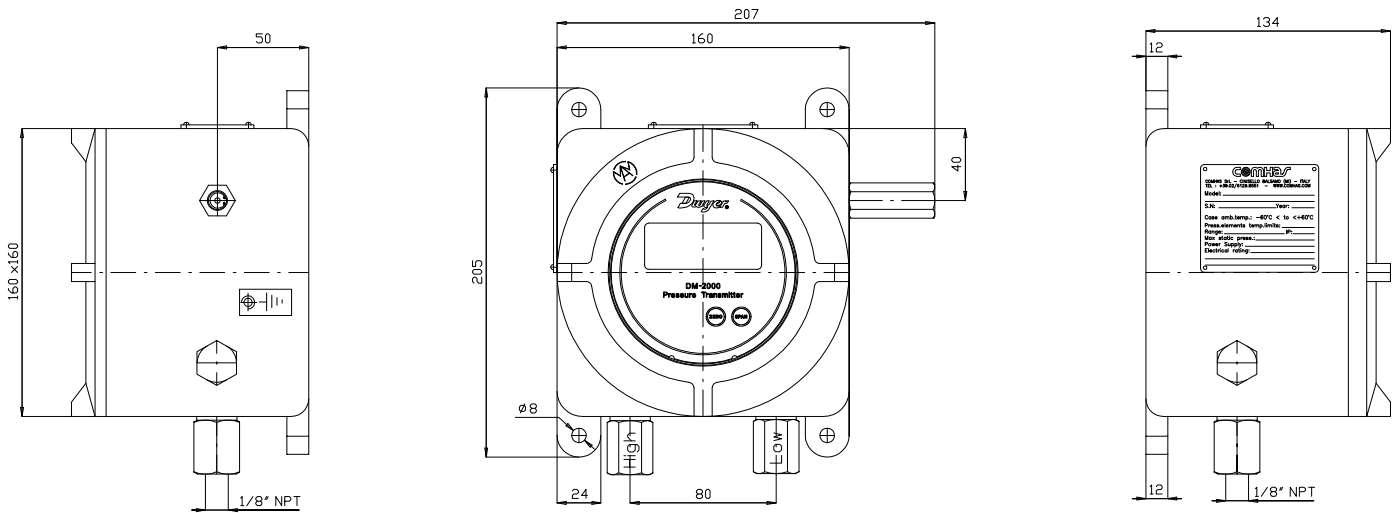
- Attention: check local safety rules and warnings on unit and manual for a correct use of the instrument in hazardous area.



STANDARD RANGES (OTHER RANGES AVAILABLE)

MODEL	IN.W.C	Pa	mm w.c.	mBar	Kpa	PSI
DM2x01	0 - 0,15" w.c.	24,9	2,54	0,249		
DM2x02	0 - 0,25" w.c.	62,2	6,35	0,622		
DM2x03	0 - 0,5" w.c.	124,3	12,7	1,243	0,124	
DM2x04	0 - 0,1" w.c.	249	25,4	2,49	0,249	
DM2x05	0 - 2" w.c.	497	50,8	4,97	0,497	
DM2x06	0 - 3" w.c.	746	76,2	7,46	0,746	0,108
DM2x07	0 - 5" w.c.	1243	127	12,43	1,243	0,18
DM2x12	0,25 - 0 - 0,25" w.c.	62,2 - 0 - 62,2	6,35 - 0 - 6,35	0,622 - 0 - 0,622		
DM2x13	0,5 - 0 - 0,5" w.c.	124,3 - 0 - 124,3	12,7 0 - 12,7	1,243 - 0 - 1,243		
DM2x19	0,05 - 0 - 0,20" w.c.	49,8	5,08	0,498		

DIMENSIONS



Consult factory for different holes layout.



MODEL CONFIGURATION AT2-DM200/2100

CODE	AT2	-	DM20	-	-	-	-	-	-	-	-	-	-	-	-	-	-	-	-
Housing	DM20		DM20																
	DM21		DM21																
Ranges	0- 0,15" w.c.																		01
	0 - 0,25" w.c.																		02
	0 - 0,5" w.c.																		03
	0 - 0,1" w.c.																		04
	0 - 2" w.c.																		05
	0 - 3" w.c.																		06
	0 - 5" w.c.																		07
	0,25 - 0 - 0,25" w.c.																		12
	0,5 - 0 - 0,5" w.c.																		13
	0,05- 0 - 0,20" w.c.																		19
Options	Without display LCD																		
	With display LCD											LCD							
Case material	Alluminium												A						
	Stainless steel (s.s. connection included)												S						
Housing options	Blind top cover																		B
	Glass transparent cover																		0
	1/8" NPT F brass pressure port																		1
	1/8" NPT F stainless steel (only for aluminium housing)																		2
	Standard - without overpressure relief valve																		X
	Overpressure relief valve* (material: same as pressure ports)																		OPV
	Stainless steel tag																		T2
Other options	See "other options" - Possible more than one option																	...	

*IP65 in case of relief valve installation (OPV). Relief valve is used to keep atmospheric pressure inside the case.
Suggested in case of risk of having static pressure ≥ 19 Bar (static pressure admitted is indicated on tag and it will be anyway always < 19 bar).

OTHER OPTIONS

XXXXX: layout code for different holes sizes and layout.

Dimensions may change without any advice.



info@comhas.com - www.comhas.com - T: +39 02 6129.8551