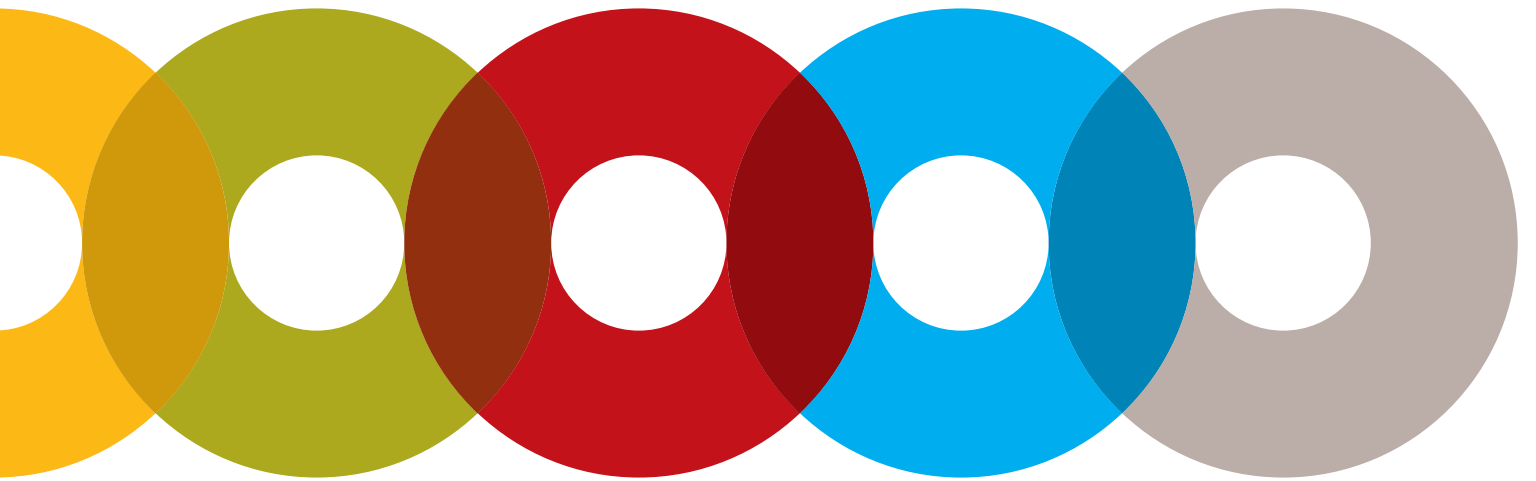


Flow // Thermal

t^oflow

Air velocity sensor
T100, T112 and T122 series





T100

Small dimensions thermal air velocity transmitter



SPECIFICATIONS

Fluid:	air and compatible gas non combustible
Accuracy:	±3% f.s. ±0,1 m/s @ 25°C ±4% f.s. ±0,1 m/s @ 25°C (for ranges 0-3 m/sec)
Response time:	1 second for 95% of final value
Temperature limits:	process fluid from 0 to 50°C, ambient temperature from 0 to 50°
Pressure limits:	0,5 bar max
Humidity limits:	5-95% RH non condensing
Power supply:	18-26 VDC
Ranges:	0-3, 0-1, 0-20 m/sec
Outputs:	0-5 V, 0-10 V, 1-10 V, 0-20 mA and 4-20 mA 4 wires
Loop resistance:	500 ohm max
Current consumption:	100 mA max
Soglia di allarme programmabile:	n°1 relay SPDT, max 30 Vdc 1A/125 Vac 0,3 V (resistivy)
Electrical connections:	screw terminals
Mounting:	Electronic unit DIN RAIL mounted (not sensitive to position) probe to be inserted perpendicular to flow
Certification:	CE
Norme di riferimento:	EN 61000-6-3, CISPR 16-2-1, CISPR 16-2-3, IEC EN 61000-6-2, IEC EN 61000-4-4, IEC EN 61000-4-2, IEC EN 61000-4-6, IEC EN 61000-4-3, EN 61000-4-8
Materials:	case: PC+ABS and POM (cursor) sensor: PC+ABS bridge bracket with base: PC+ABS bracket to fix on ducts: Nylon
Electrical cable:	PVC
Applications:	HVAC, flow measurements, cooling, fan monitoring, hood monitoring, filter monitoring, computer rooms

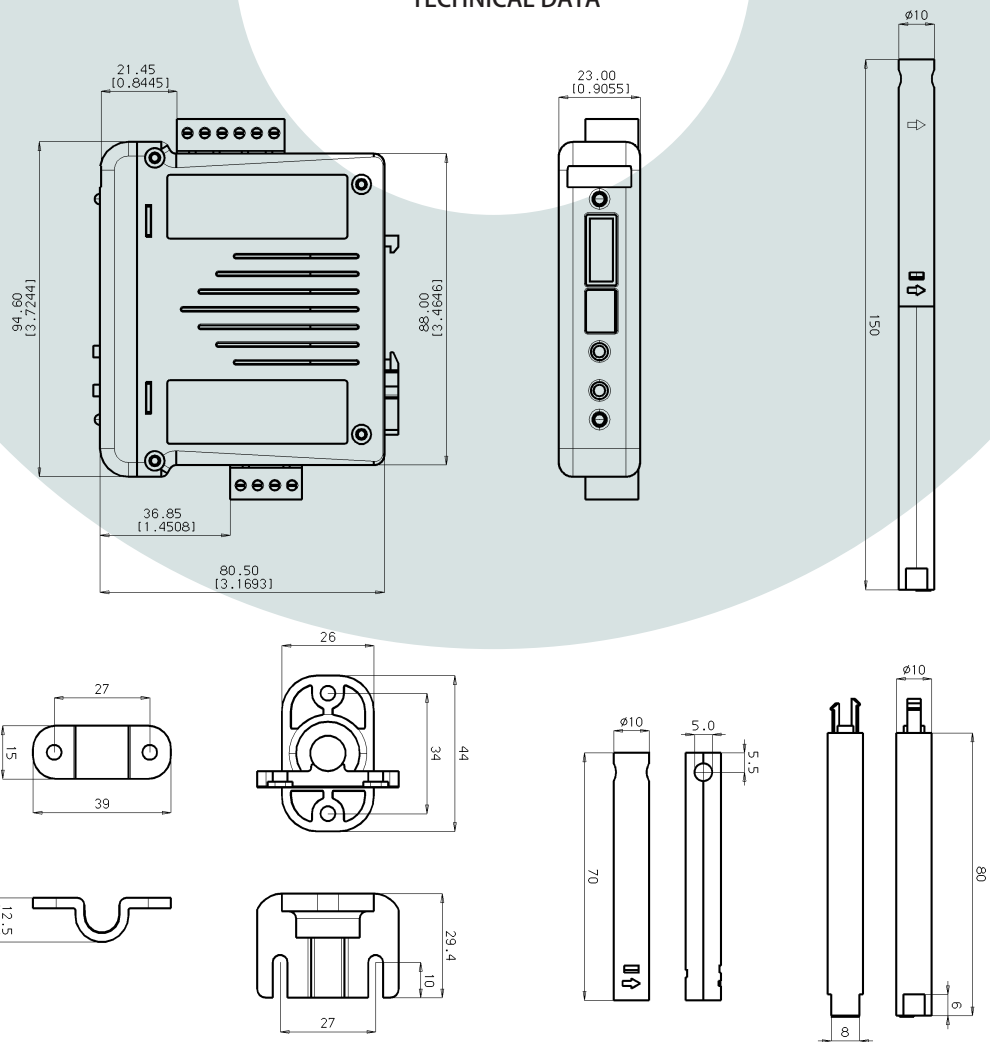
P/N FOR ORDERING

MODELLO	T100	/	B	/	2
Velocity	Range 0 - 1 m/s		1		
	Range 0 - 3 m/s		3		
	Range 0 - 10 m/s		10		
	Range 0-20 m/s		20		
Analog output	4 - 20 mA				1
	0 - 20 mA				2
	0 - 10 V				3
	0 - 5 V				4
	1 - 10 V				5

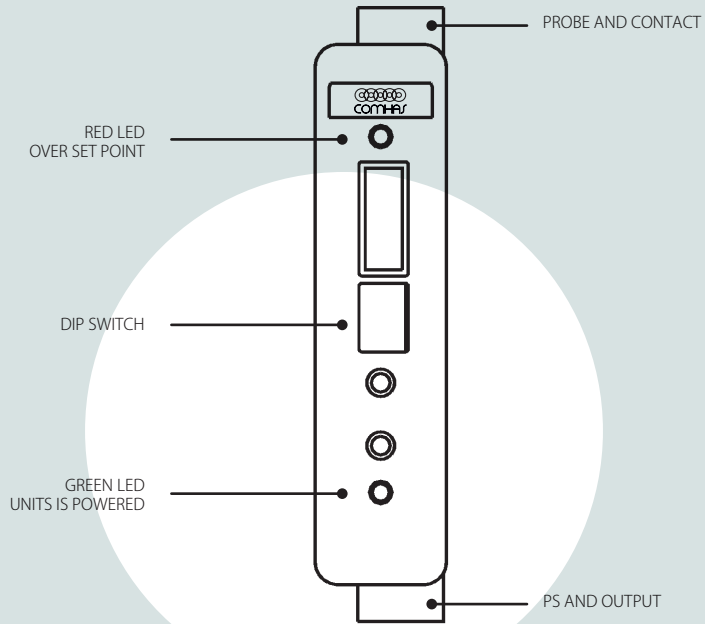
Es. P/N. for ordering
T100 - 10 - 3 anemometer T-Flow with range 0-10 m/sec and output 0-10 V.



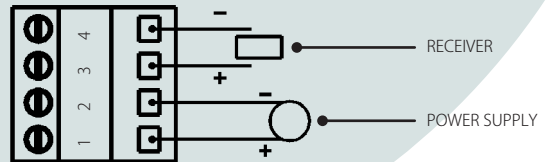
TECHNICAL DATA



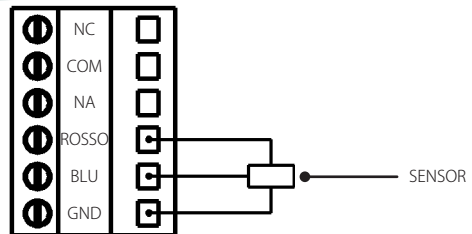
WIRING AND LED SIGNALS



Power supply and output wiring



Probe connection and alarm output



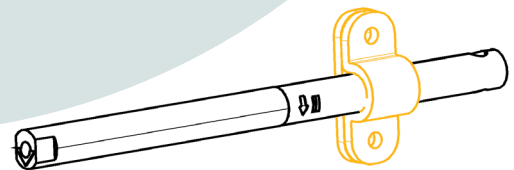
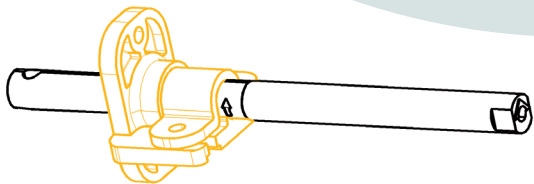
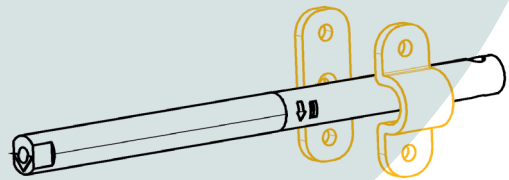
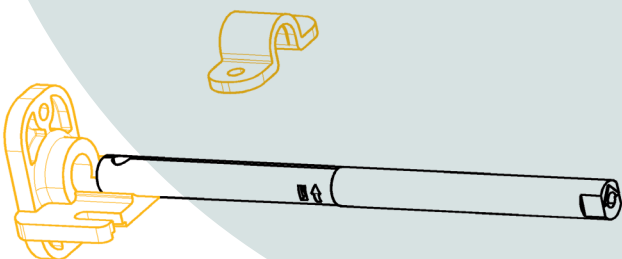
ACCESSORIES INCLUDED WITH SUPPLY OF EVERY T100



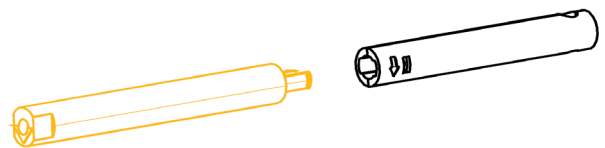
Mounting with duct bracket:



Mounting with bridge bracket:



Sensor extension:



t^oflow

T112

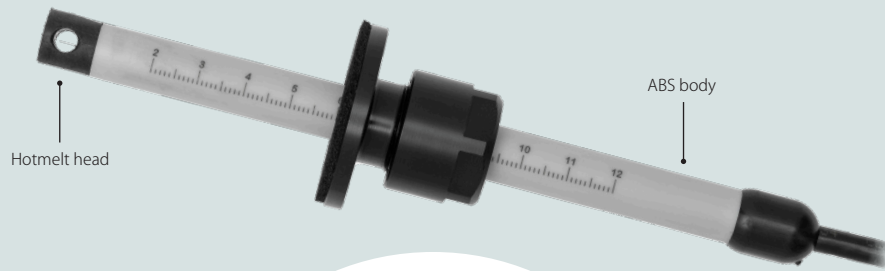
Air flow sensor Ø 12 mm



AIR FLOW SENSOR FEATURES

Fluids:	air and compatible gases not combustible
Accuracy:	$\pm 2.5\%$ f.s. ± 0.1 m/s @ 25°C $\pm 3.5\%$ f.s. ± 0.1 m/s @ 25°C (for range 0-3 m/sec)
Response time:	1 second up to 95% of final value
Temperature limits:	process from 5 to 50°C ambient from 0 to 50°
Pressure limits	0.5 Bar
Humidity limits:	5-95% ur non condensante
Power supply:	18-26 VDC
Available ranges:	0-1, 0-3, 0-10, 0-20, 0-30 m/sec
Outputs:	0-10 V, 0-20 mA 4-20 mA 4 wires
Loop resistance:	500 ohm max
Current consumption:	100 mA max
Mounting orientation:	probe to be mounted aligned to flow directiona
Certificate:	CE
Materials:	<ul style="list-style-type: none"> • Probe A, B, C e D: glass ceramic measuring head: macromelt® or alluminium probe: anodized aluminium • Probe S: stainless steel 316, glass/ceramic
Applications:	HVAC systems, general flow measurements, air flow hoods, fan monitoring, air cooling, filter monitoring ecc...

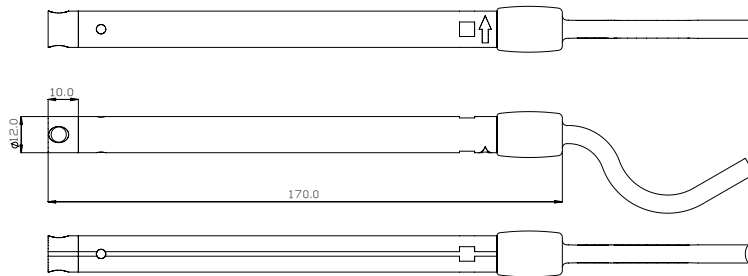
T112/P



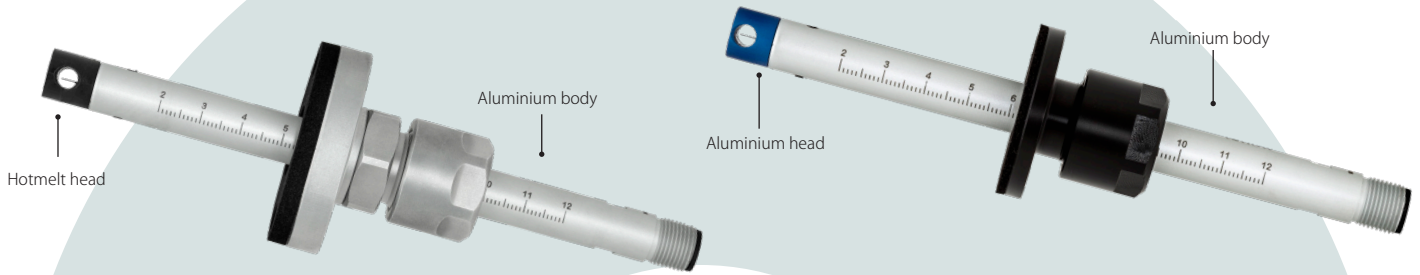
CODES TO ORDER

	T112	/	P	/	CBL3	/	0	/	1
Hotmelt head and body in ABS			P						
Cable. Standard length 3 meters (possible different length).					CBL3				
0-20 mA							0		
4-20 mA							4		
0-10 Vcc							10		
0-1 m/s									1
0-3 m/s									3
0-10 m/s									10
0-20 m/s									20
0-30 m/s									30

DIMENSIONS



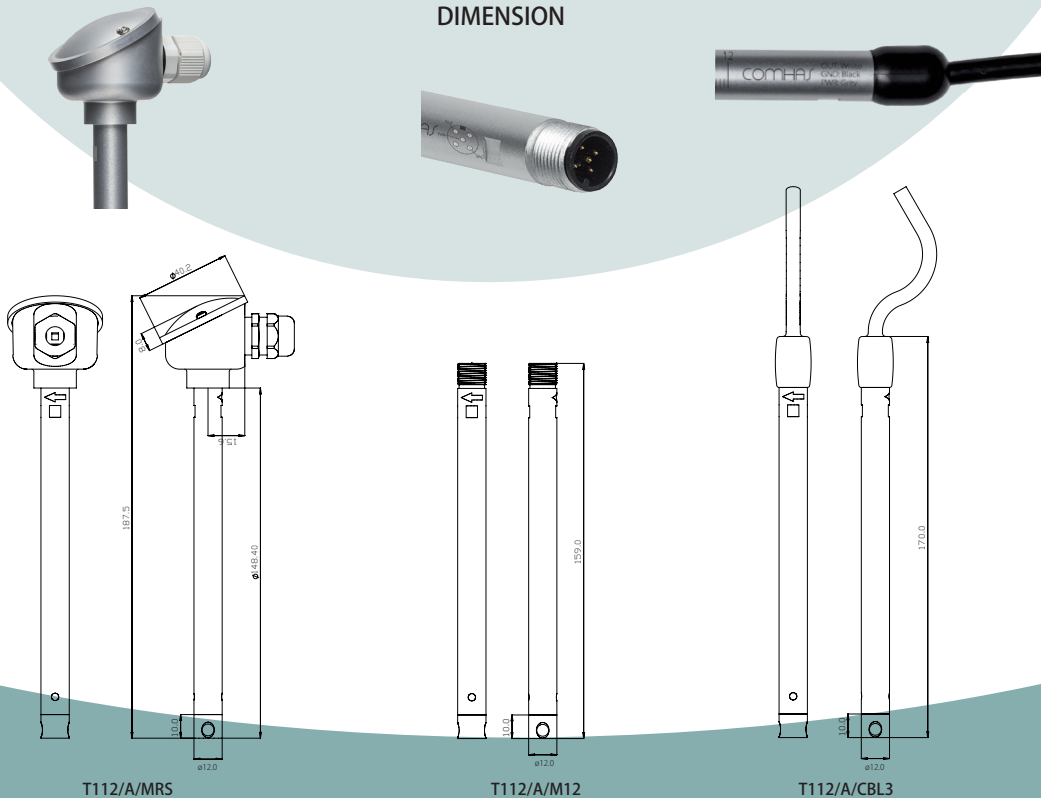
T112/A AND T112/B



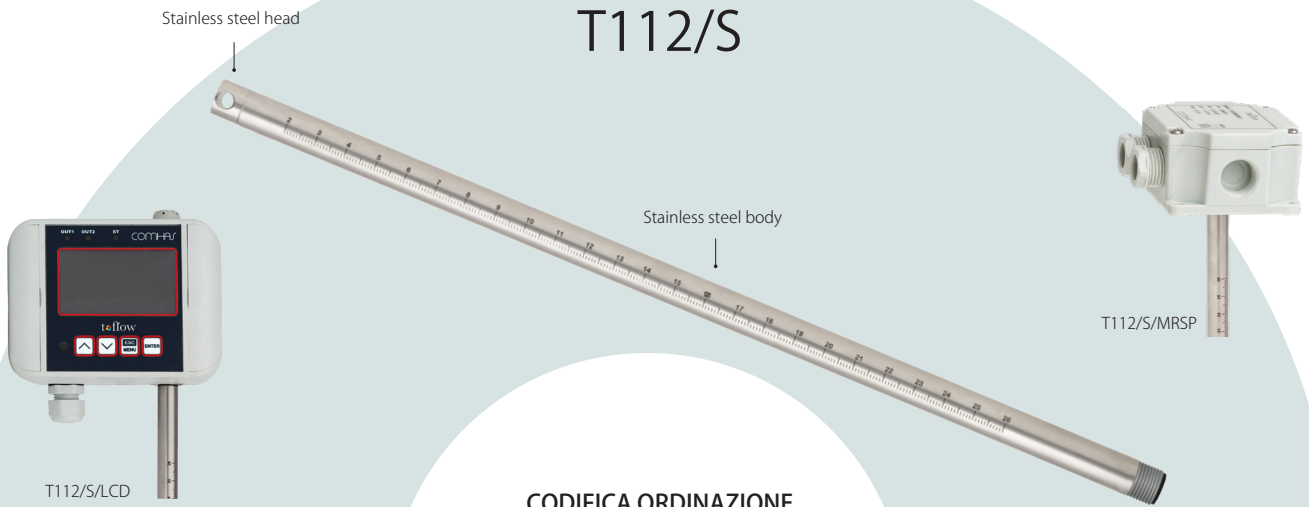
CODIFICA ORDINAZIONE

	T112	/	A	/	M12	/	0	/	1
Hotmelt head and aluminium body			A						
Aluminium head and aluminium body			B						
5-pole circular M12 connector					M12				
Cable. Standard length 3 meters (possible different length).					CBL3				
Connection with 3-pole terminal block max section: 2.5 mm ²					MRS				
0-20 mA							0		
4-20 mA							4		
0-10 Vcc							10		
0-1 m/s									1
0-3 m/s									3
0-10 m/s									10
0-20 m/s									20
0-30 m/s									30

DIMENSION



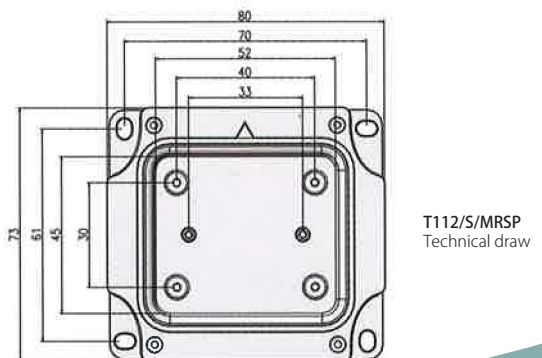
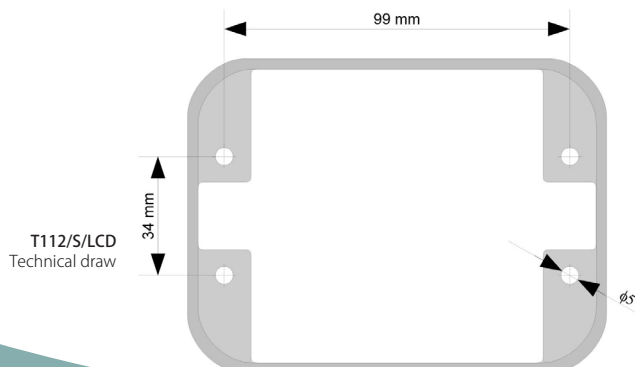
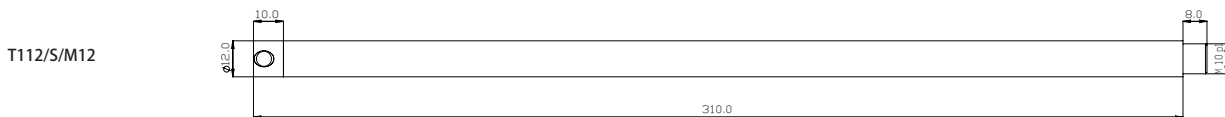
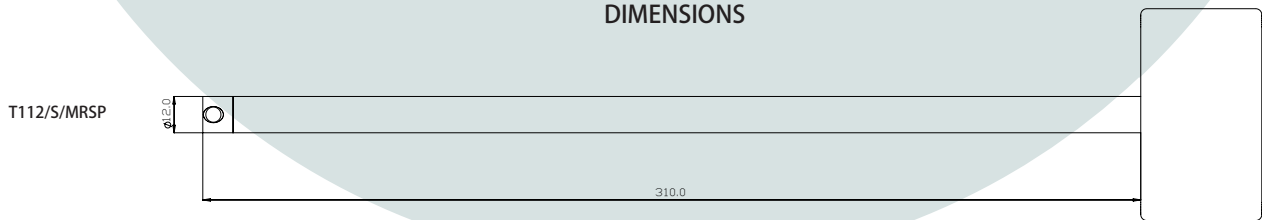
T112/S



CODIFICA ORDINAZIONE

	T112	/	S	/	M12	/	0	/	1
Head in stainless steel and stainless steel body			S						
5-pole circular M12 connector					M12				
Connection with 3-pole terminal block max section: 2.5 mm ²					MRSP				
Connection with LCD display					LCD				
0-20 mA							0		
4-20 mA							4		
0-10 Vcc							10		
0-1 m/s									1
0-3 m/s									3
0-10 m/s									10
0-20 m/s									20
0-30 m/s									30

DIMENSIONS



ACCESSORIES FOR T112

P/N	CONNECTION CABLES
CMH-CBL-2MT-M12	M12 connector with 2 mt cable
CMH-CBL-5MT-M12	M12 connector with 5 mt cable
CMH-CBL-10MT-M12	M12 connector with 10 mt cable

P/N	PROGRAMMING CABLE
CMH-CBL-USB-M12	Serial cable

	P/N	DESCRIPTION	TECHNICAL DESIGN
	CMH-FNRC-12-N	flange + compression joint in aluminum	
	CMH-FNRC-12-P	flange + compression fitting in derlin	
	CMH-RC3/8-12-N	3/8 "threaded aluminum connection	
	CMH-RC1/2-12-N	1/2 "threaded aluminum connection	
	CMH-RC1/2-12-P	1/2 "threaded connection in derlin	
	SMCT-12M-8G	Compression fitting in stainless steel	 D = 12 T = 1/2" L = 48.2 A = 22.8 B = 22

CONFIGURATION SOFTWARE

You can download the software from our website www.comhas.com on this link:
<https://www.comhas.com/prodotto/tflow-t112/>



T122

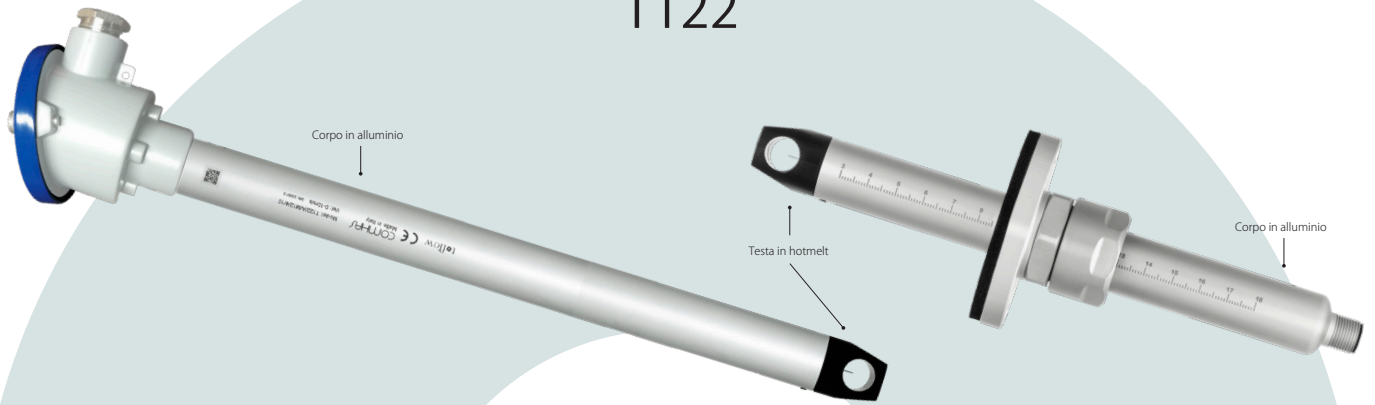
Air flow sensor/flowswitch ø 22 mm



FEATURES

Fluids:	air and compatible gases not combustible
Accuracy:	±2.5% f.s. ±0.1 m/s @ 25°C ±3.5% f.s. ±0.1 m/s @ 25°C (for ranges 0-1 and 0-3 m/sec)
Response time:	1 second up to 95% of final value
Temperature limits:	process from 5 to 50°C ambient from 0 to 50°C
Pressure limits:	0.5 Bar
Umidità limite:	5-95% ur not condensing
Power supply:	18-26 VDC
Available ranges:	0-1, 0-3, 0-10, 0-20, 0-30 m/sec
Outputs:	0-10 V, 0-20 mA 4-20 mA collegamento 3 fili
Loop resistance:	500 ohm max
Current consumption:	100 mA max
Mounting orientation:	probe to be mounted aligned to flow direction
Certificate:	CE
Materials:	Sensor: glass ceramic Measuring head: macromelt®
Application:	Air conditioning, flow measurements, suction hoods, fan monitoring, air coolers, speed measures for clogging filters, ced etc ...

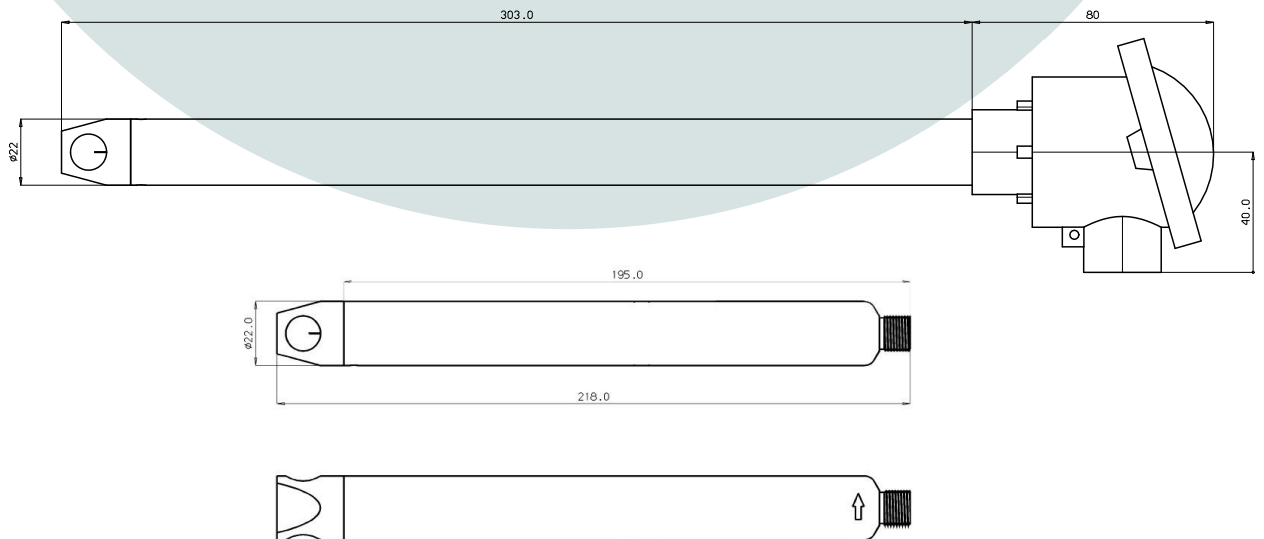
T122



CODES TO ORDER

	T122	/	A	/	M12	/	0	/	1
Hotmelt head and aluminum body			A						
5-pole circular M12 connector					M12				
Connection with 3-pole terminal block max section: 2.5 mm ²					MRS				
0-20 mA							0		
4-20 mA							4		
0-10 Vcc							10		
0-1 m/s									1
0-3 m/s									3
0-10 m/s									10
0-20 m/s									20
0-30 m/s									30

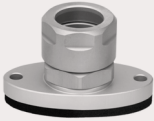
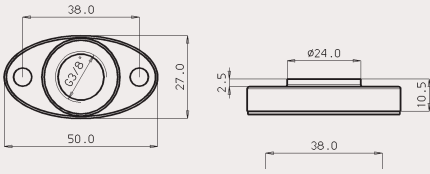

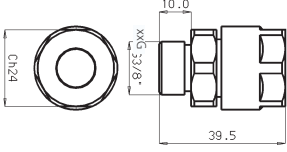
DIMENSIONS



ACCESSORIES FOR T122

P/N	CONNECTION CABLES
CMH-CBL-2MT-M12	M12 connector with 2 mt cable
CMH-CBL-5MT-M12	M12 connector with 5 mt cable
CMH-CBL-10MT-M12	M12 connector with 10 mt cable

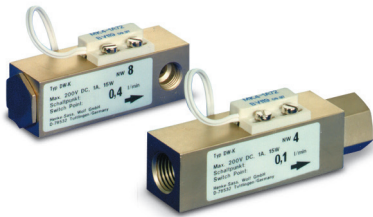
P/N	PROGRAMMING CABLES
CMH-CBL-USB-M12	Serial cable

	P/N	DESCRIPTION	TECHNICAL DESIGN
	CMH-FNRC-22-N	flange + compression joint in aluminum	
	CMH-RC-22-N	compression fitting in aluminum	

CONFIGURATION SOFTWARE

You can download the software from our website www.comhas.com on this link:
<https://www.comhas.com/prodotto/tflow-t112/>

OTHER SCOPE TOOLS



Piston flow switch



Piston flow switch.
Body in brass or stainless steel.
Fixed alarm point
from min 0.1 l / min to max 2.5 l / min.



Magnetic insertion meters



For pipes from 4 to 36 ".
Available BACnet MS / TP or Modbus RTU output.
Analog outputs:
4-20 mA, 0-5 Vcc, 0-10 Vcc or 2-10 Vcc
frequency output.



Thermal flow switches



Thermal flow switches for air or compatible gases.
12 mm or 22 mm diameter versions.
On / off output: relay or open collector NPN.
Max speed: 30 m / s.



Massive meters / regulators
of scope



Massive meters and regulators
flow rate for air and gas.
Versions for low load losses.
Composer: possibility to customize mixtures, using
over 100 gases in memory.





Via Matteotti, 66 - 20092
Cinisello Balsamo (MI)
T: +39 02/6129.8551
www.comhas.com
info@comhas.com