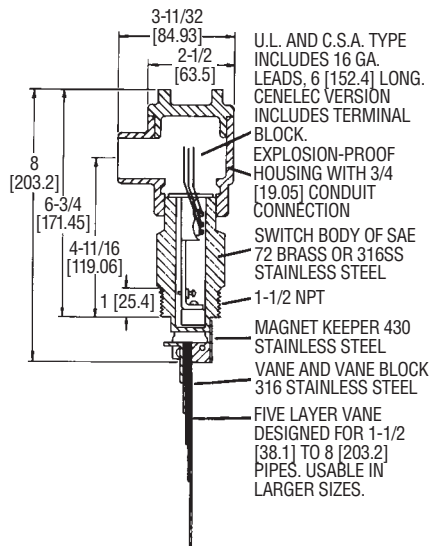




Series  
V4 **FLOTECT**® Vane Operated Flow Switch  
Specifications - Installation and Operating Instructions



**Rugged and reliable the Flotect® V4 flow switch** operates automatically to protect equipment and pipeline systems against damage from reduction or loss of flow. The V4 is time tested being installed in thousands of pipelines and processing plants around the world. A unique magnetically actuated switching design gives superior performance. There are no bellows, springs, or seals to fail. Instead, a free-swinging vane attracts a magnet within the solid metal switch body, actuating a snap switch by means of a simple lever arm.

#### FEATURES

- Leak proof body machined from bar stock
- Choice of custom vane calibrated for your application, Model V4, or field adjustable multilayer vane, Model V4-2-U (see set point chart on page 4)
- Weatherproof, designed to meet NEMA 4
- Explosion-proof (listing included in specifications)
- Installs directly and easily into pipeline with a thredolet, tee, or flange (see application drawings on page 4)
- Can be used in pipes 1-1/2" and up
- Electrical assembly can be easily replaced without removing the unit from installation so that the process does not have to be shut down
- High pressure rating of 1000 psig (69 bar) with the brass body and 2000 psig (138 bar) with the 316 SS body

#### APPLICATIONS

- Protects pumps, motors and other equipment against low or no flow
- Controls sequential operation of pumps
- Automatically starts auxiliary pumps and engines
- Stops liquid cooled engines, machines and processing when coolant flow is interrupted
- Shuts down burner when air flow through heating coil fails
- Controls dampers according to flow

#### SPECIFICATIONS

**Service:** Gases or liquids compatible with wetted materials.

**Wetted Materials:**

**Vane:** 316 SS

**Body:** Brass or 316 SS standard.

**Magnet Keeper:** 430 SS standard, 316 SS optional.

**Options:** Other materials also available, consult factory (e.g. PVC, Hastelloy, Nickel, Monel, Titanium).

**Temperature Limit:** -4 to 275°F (-20 to 135°C) standard, MT high temperature option 400°F (205°C) [MT option not UL, CSA, ATEX, or SAA].

**Pressure Limit:** Brass body 1000 psig (69 bar), 316 SS body 2000 psig (138 bar), optional 5000 psig (345 bar) available with 316 SS body and SPDT switch only.

**Enclosure Rating:** Weatherproof and Explosion-proof. Listed with UL and CSA for Class I, Groups C and D; Class II, Groups E, F, and G. ATEX **CE** 0344 **Ex** II 2 G EEx d IIB T6 -20°C ≤ Tamb ≤ 75°C EC-Type Certificate No.: KEMA 03ATEX 2383

SAA: Exd II C T6 (T amb=60°C).

Zone I. Also FM approved.

**Switch Type:** SPDT snap switch standard, DPDT snap switch optional.

**Electrical Rating:** UL, FM, ATEX and SAA models 10A @ 125/250 VAC (V~). CSA models: 5A @ 125/250 VAC (V~); 5A res., 3A ind. @ 30 VDC (V=). MV option: 1A @ 125 VAC (V~); 1A res., .5A ind. @ 30 VDC (V=). MT option: 5A @ 125/250 VAC (V~). [MT and MV option not UL, CSA, FM, ATEX or SAA].

**Electrical Connections:** UL and CSA models: 16 AWG, 6" (152 mm) long. ATEX and SAA unit: Terminal block.

**Conduit Connection:** 3/4" female NPT.

**Process Connection:** 1-1/2" male NPT.

**Mounting Orientation:** Within 5° of vertical for proper operation. Units for horizontal installation (vertical pipe with up flow) available.

**Set Point Adjustment:** For universal vane: five vane combinations.

**Weight:** 4 lb 8 oz (1.9 kg).

#### Notes:

- Check all ratings given in the instructions and on the product to make sure that the product is suitable for your application. Do not exceed electrical ratings, pressure ratings, or temperature ratings of the product.
- Disconnect power supply before beginning installation to prevent possible equipment damage or electrical shock.

#### MAINTENANCE

Inspect and clean wetted parts at regular intervals. The cover should be in place at all times to protect the internal components from dirt, dust, and weather, and to maintain hazardous location ratings. Disconnect device from the supply circuit before opening to prevent ignition of hazardous atmosphere.

<b>Example</b>	V4	SS	3	1	6	C	F	2	S	1	V4-SS-316-C-F2S1
<b>Construction</b>	V4										Brass Body, SPDT Switch
<b>Construction Options</b>		SS 2 D U									316 SS Body Type 2 Body Style DPDT Switch Universal Vane (Omit for a custom vane)
<b>Magnet Keeper Material Options</b>			1 2 3								430 SS (Standard) Nickel 200 316 SS
<b>Vane Material Options</b>				1 2 3 4 5							316 SS (Standard) Carpenter 20 Hastelloy B Hastelloy C Monel
<b>Body Material Options</b>					1 2 3 4 5 6 7						Brass (Standard) Carpenter 20 CPVC* Hastelloy B Hastelloy C 316 SS (Must also use SS construction selection) Monel
<b>Other Options</b>						AT SAA EPOXY FSV FTR HP HV MT MV NACE NB NH SW TBC TRD TRI V					ATEX SAA Construction* Epoxy Coated Housing Full Swing Vane Flow Test Report High Pressure*, 5000 psi (345 bar) (Only with SS body) Hinged Vane High Temperature* (See specifications for rating) Gold Contact Snap Switch* (See specifications for rating) NACE Heat Treated Body* Neoprene Boot* No Electrical Housing* Socket Weld Connection* Terminal Block Wire Connections* Time Delay Relay* (On flow decrease) Time Delay Relay* (On flow increase) Vertical Up Flow Applications
<b>Flange*</b>							F				Flange Process Connection
<b>Flange Size</b>								2 2.5 3 4			2" 2-1/2" 3" 4"
<b>Flange Material</b>									C S M B H		Carbon Steel 316 SS Monel Hastelloy B Hastelloy C
<b>Flange Rating</b>										1 3 6 9	150# 300# 600# 900#
<b>Bushing*</b>							B				Bushing Process Connection
<b>Bushing Size</b>								1 2 4			2" 2-1/2" 4"
<b>Bushing Type</b>									H F		Hex Flush
<b>Bushing Material</b>										B C S 4	Brass Carbon Steel 316 SS 304 SS
<b>Tee*</b>							T				Tee Process Connection
<b>Tee Size</b>								1			1-1/2"
<b>Tee with Bushing*</b>							TB				Tee with Bushing Process Connection (Both same material)
<b>Tee Size</b>								2 3			2" 3"
<b>Tee Material and Type</b>										B0 B1 B2 C CP S P	Brass 125 # Brass 150 # Brass 250 # Carbon Steel 2000 # (Only with 2" and 3") CPVC SCH 80 316 SS 150 # PVC SCH 80

\* Options that do not have ATEX

**Attention:** Units without the "AT" suffix are not Directive 94/9/EC (ATEX) compliant. These units are not intended for use in potentially hazardous atmospheres in the EU. These units may be CE marked for other Directives of the EU.

## INSTALLATION

- Remove packing material from switch body-cap and remove tape from magnet keeper. Adjust vane length if necessary on multi-layer vanes only (see flow rate charts on next page). Install switch in thredolet previously welded to line. In some cases, it may be necessary to install the switch in a flange or tee (see installation drawings on next page). Note: extreme care must be exercised in welding the fitting to the line so that it is plumb and level.

### ADJUSTMENT OF MULTI-LAYER VANE

Remove only those layers which are too long. Leave the smaller layers to reinforce the vane. The longest vane fits 6" (150 mm) or larger pipe, the second longest vane fits 4" (100mm) pipe, etc. Actuation-Deactuation rates are shown in the charts on the next page. To remove vane layers, proceed as follows:

- Remove the two screws and lockwashers holding the layers together. Do not lose these special corrosion resistant type 316 stainless steel screws and lockwashers.
- Remove the unwanted layers.
- Resecure the vane with the original two screws and lockwashers.
- With a hammer, lightly peen the ends of the screws so that they can't back out.
- If you lose the screws or lockwashers, don't replace with other parts which may corrode and break. That will void the warranty and might cause severe damage to equipment located downstream of the switch.

**Note:** Custom vane units have been calibrated at factory to meet requirements. Do not change.

- The arrow on the side of the switch must point in the direction of flow.
- Wiring: UL and CSA units only: thread connecting wires through conduit and connect. Wire in accordance with local electrical codes.  
Black - Common  
Blue - N.O.  
Red - N.C.

**Note:** Double pole, double throw switches have dual black, blue and red leads. These are connected in the same manner as single pole, double throw switches, as described above.

### EC-Type Certificate Installation Instructions:

#### Cable Connection

The cable entry device shall be an EEx d certified cable gland suitable for conditions of use and correctly installed. The certified cable gland and cable shall be rated for a minimum temperature of 80°C.

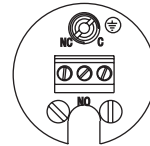
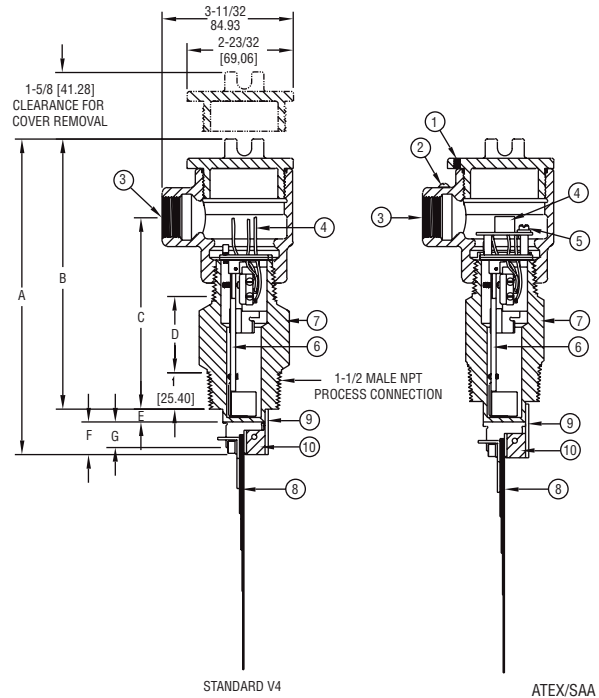
#### Conduit Connection

An EEx d certified seal device such as a conduit seal with setting compound suitable for conditions of use and correctly installed shall be provided immediately to the entrance of the electrical housing. The certified conduit seal with setting compound and cable shall be rated for a minimum temperature of 80°C.

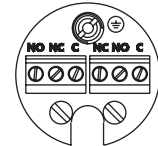
**Note:** The switch is deactivated and contacts are in normal condition when there is no flow in the line.

- Make sure conduit or cable are properly sealed. Electrical components must be kept free of moisture, including condensation, at all times. **CAUTION:** To prevent ignition of hazardous atmosphere, disconnect the device from the supply circuit before opening. Keep assembly tightly closed when in operation.

**Note:** ATEX units only: The temperature class is determined by the maximum ambient or medium/process temperature. The approved ratings are: T6  $-20^{\circ}\text{C} \leq T_{\text{amb}} \leq 75^{\circ}\text{C}$ . Product may be used in a maximum ambient or medium/process temperature of 75°C.



TERMINAL CONNECTIONS  
SPDT



TERMINAL CONNECTIONS  
DPDT

Dim	V4 in(mm)	V4-2 in(mm)
A	8-3/16 (207.96)	8 (203.20)
B	6 (152.40)	6-3/4 (171.45)
C	4-11/16 (119.06)	3-15/16 (100.01)
D	1 (25.40)	1-3/4 (44.45)
E	1-5/16 (33.34)	9/16 (14.30)
F	7/8 (22.23)	11/16 (17.63)
G	11/16 (17.46)	1/2 (12.70)

Ref #	Standard V4	ATEX/SAA
1	N/A	Cover lock.
2	N/A	External ground.
3	Explosion-proof housing with 3/4" female NPT conduit connection.	Explosion-proof housing with 3/4" female NPT conduit connection.
4	16 AWG, 6" (152 mm) long.	Terminal Block
5	Internal	Internal ground.
6	Magnet arm and switch assembly.	Magnet arm and switch assembly.
7	Switch body of SAE 72 Brass or 316 Stainless Steel.	Switch body of SAE 72 Brass or 316 Stainless Steel.
8	Five layer vane, 316 Stainless Steel, Designed for 1/2" to 8" pipes. Usable in larger pipe sizes.	Five layer vane, 316 Stainless Steel, Designed for 1/2" to 8" pipes. Usable in larger pipe sizes.
9	Magnet keeper of 430 Stainless Steel.	Magnet keeper of 430 Stainless Steel.
10	Vane block of 316 Stainless Steel.	Vane block of 316 Stainless Steel.

## V4 Universal Vane Flow Charts

Values shown in both charts are nominal. If normal flows exceed actuation rates by less than 10%, custom vanes are recommended. Figures are based on standard vertical installation in a 1-1/2" throdolet in a horizontal run of pipe.

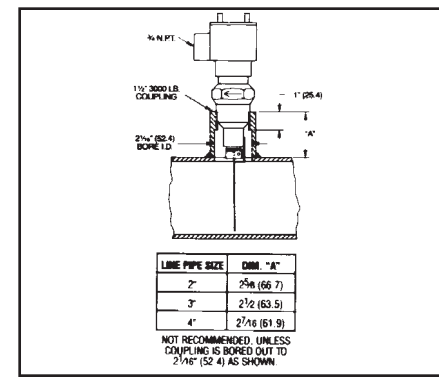
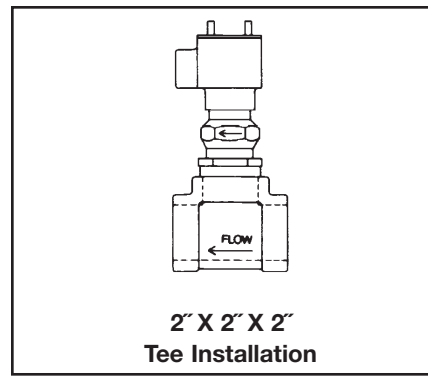
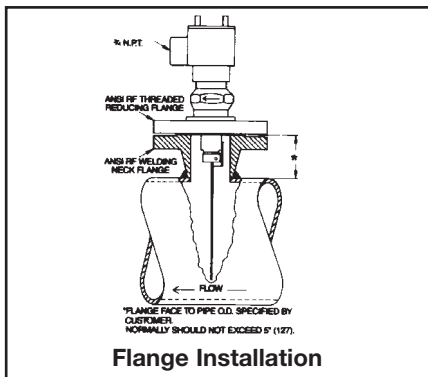
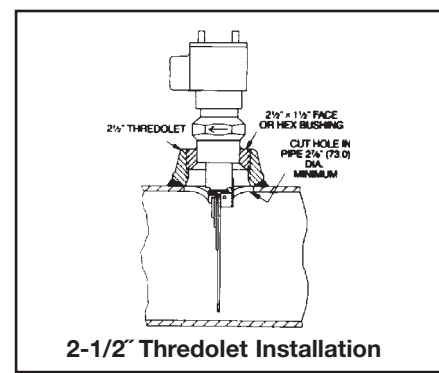
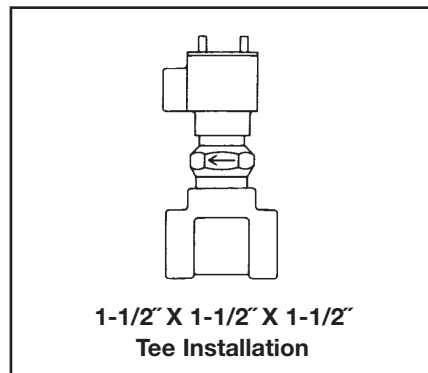
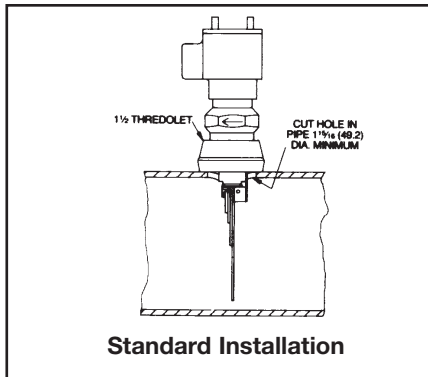
APPROXIMATE ACTUATION/DEACTUATION FLOW RATES FOR COLD WATER. UPPER FIGURES IN GPM. LOWER FIGURES IN LPM												
VANE LAYERS	1.5"PIPE	2"PIPE	3"PIPE	4"PIPE	6"PIPE	8"PIPE	10"PIPE	12"PIPE	14"PIPE	16"PIPE	18"PIPE	20"PIPE
1	7-3 26.67-11.67	15-8 56.7-30	45-22 167-83.3	95-40 367-150	210-120 800-450	375-175 1417-667	600-300 2267-1133	900-450 3400-1700	1200-600 4550-2267	1400-800 5300-3033	2000-1000 7567-3783	2400-1200 9083-4550
1&2		7-4 26.7-15	23-14 86.7-53.3	50-35 190-132	130-90 500-333	230-150 867-567	450-250 1700-950	650-350 2467-1317	900-500 3400-1900	1200-650 4550-2467	1450-800 5483-3033	1800-1000 6817-3783
1,2,&3			11-7 41.7-26.7	27-19 102-71.7	80-60 300-233	160-115 600-433	300-180 1133-683	450-275 1700-1033	600-350 2267-1317	750-450 2750-2083	1000-600 3783-2267	1200-700 4550-2650
1,2,3,&4				17-12 65-45	60-45 233-167	120-90 450-333	230-150 867-567	310-200 1167-750	430-280 1633-1067	550-360 2083-1367	700-450 2650-1700	850-550 3217-2083
1,2,3,4,&5					40-30 152-113	80-65 300-250	135-100 517-383	200-140 750-533	290-200 1100-750	360-250 1367-950	460-325 1733-1233	575-400 2183-1517

Actuation rates are based on cold water at a specific gravity of 1.0. For fluids of different specific gravity, actuation rates may be approximated by dividing the rate shown by the square root of the specific gravity.

APPROXIMATE ACTUATION/DEACTUATION FLOW RATES FOR AIR. UPPER FIGURES IN SCFM. LOWER FIGURES IN LPS												
VANE LAYERS	1.5"PIPE	2"PIPE	3"PIPE	4"PIPE	6"PIPE	8"PIPE	10"PIPE	12"PIPE	14"PIPE	16"PIPE	18"PIPE	20"PIPE
1	32-17 15-8	65-32 30-20	210-105 100-50	400-200 190-90	950-475 450-220	1550-850 730-400	2400-1300 1100-600	3450-1900 1600-900	4700-2600 2200-1200	6400-3500 3000-1700	8000-4400 3800-2100	10000-5500 4700-2600
1&2		23-13 10-6	120-70 60-30	195-140 90-70	550-375 260-180	1100-700 520-330	1850-1200 870-570	2700-1750 1300-800	3400-2200 1600-1000	4800-3100 2300-1500	6000-3900 2800-1800	7400-4800 3500-2300
1,2,&3			60-48 30-20	135-100 60-50	375-265 180-130	725-500 340-240	1200-850 570-400	1850-1300 870-610	2600-1800 1200-800	3350-2350 1600-1100	4300-3000 2000-1400	5300-3700 2500-1700
1,2,3,&4				65-50 30-20	260-200 120-90	500-400 240-190	875-700 410-330	1250-1000 590-470	1900-1500 900-710	2500-2000 1200-900	3100-2500 1500-1200	3900-3100 1800-1500
1,2,3,4,&5					130-100 60-50	310-250 150-120	650-525 310-250	1000-800 470-380	1600-1250 760-590	2200-1750 1040-830	2800-2250 1300-1100	3550-2850 1700-1300

Actuation rates are based on air at standard conditions. For gases at other pressures, temperatures, or specific gravities, consult factory for equivalent flow approximations.

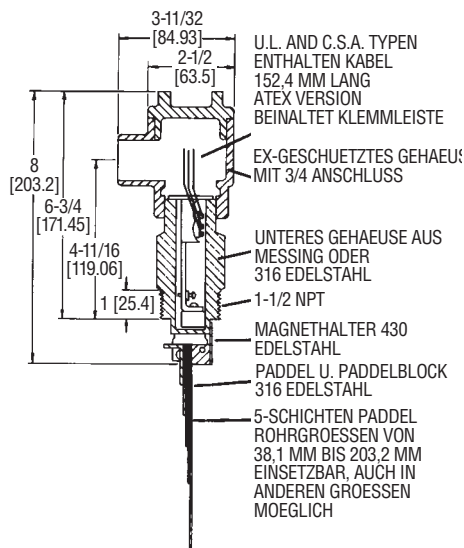
### APPLICATION DRAWINGS FOR FLOTECT® AUTOMATIC FLOW SWITCHES





# Reihe V4 FLOTECT® Durchflußwächter

## Betriebsanleitung



**Der robuste und zuverlässige Durchflußwächter der Reihe V4** schützt Geräte und Rohrsysteme vor Schäden durch Verringerung oder fehlendem Durchfluß. Der V4 wurde schon in Tausenden von Rohrleitungen und Prozessfirmen eingesetzt. Der Wächter basiert auf einem magnetischen Prinzip. Es gibt keine Kolben, Federn oder Dichtungen, die ausgetauscht werden müssten. Das frei schwingende Paddel aktiviert einen Magneten innerhalb des soliden metallischen Körpers, der wiederum einen Mikroschalter auslöst.

### HAUPTMERKMALE

- Leckagedichter Körper
- Eine Auswahl an kundenspezifischen Paddeln, Modell V4 ist einstellbar vom Kunden durch mehrschichtiges Paddel, Modell V4-2-U (siehe Schalteinstellung)
- Wettergeschütztes Gehäuse, gemäß NEMA4
- Ex-geschützt (siehe Spezifikationen)
- Einfache und direkte Montage mittels Anschlußgewinde, T-Stück oder Flanschen (siehe Abb.)
- Einsatz in Rohren von 36 mm und größer
- Die Elektrik kann einfach ausgetauscht werden, ohne den Wächter vom Prozess zu entfernen, so dass dieser nicht gestoppt werden muss
- Hoher Druckbereich: 69 bar mit Messingkörper, 138 bar mit 316 Edelstahlkörper

### ANWENDUNGEN

- Schützt Pumpen, Motoren oder andere Geräte bei zu niedrigem oder keinem Durchfluß
- Steuert sequenziellen Betrieb von Pumpen
- Startet automatisch Hilfspumpen und Motoren ein
- Schaltet flüssigkeitsgekühlte Maschinen, Motoren oder Prozesse ab, wenn der Durchfluß des Kühlmittels unterbrochen ist
- Schaltet Brenner ab, wenn die Luftzufuhr durch die Heizspulen defekt ist

### TECHNISCHE DATEN

**Medium:** Flüssigkeiten, kompatibel zu den mediumberührenden Teilen

#### Mediumberührende Teile:

Schwimmer und Arm: 316 Edelstahl

Körper: Messing oder 316 Edelstahl

Magnethalter: 430 Edelstahl Standard, 316 Edelstahl oder Nickel optional

**Temperaturbereich:** -20°C bis 135°C Standard, MT Version bis 205°C (MT-Version nicht möglich mit Ex-geschützter Ausführung)

**Druckbereich:** Messingkörper: 69 bar, 316 Edelstahlkörper: 138 bar, optional bis 345 bar nur verfügbar mit 316 Edelstahlkörper und 1 x SPDT

**Gehäuse:** Wettergeschützt und Explosionsgeschützt. Listed mit UL and CSA für Class I, Groups C and D; Class II, Groups E, F, and G. Atex  $\text{CE}$  0344  $\text{II}$  2 G - EEx d IIC T6. -20°C  $\leq$  T amb  $\leq$  75°C. EC-type Zertifikat Nr.: KEMA 03ATEX2383. SAA: Exd II C T6 (T amb = 60°C)

**Mikroschalter:** SPDT Standard, DPDT optional

**Schalteleistung:** UL und ATEX Modelle: 10A @125/250 VAC (V~). CSA Modelle: 5A @ 125/250 VAC (V~); 5A res., 3A ind. @ 30 VDC (V=). MV Option: .1A @ 125 VAC (V~). MT option: 5A @125/250 VAC (V~). [MT Option nicht möglich bei UL, CSA oder ATEX].

**Elektrische Anschlüsse:** UL und CSA Modelle: 16 AWG, 152 mm lang, ATEX Ausführung: Klemmleiste

**Kabeleingang:** 3/4" NPTF

**Prozessanschluss:** 1-1/2" NPTM

**Montagerichtung:** Innerhalb 5° zur Vertikalen, Optional Geräte für horizontalen Einbau

**Gewicht:** 2,07 kg

**Schaltpunkteinstellung:** mit Standardpaddel: Kombination aus fünf Schichten

### Bemerkungen:

- Prüfen Sie die elektrischen Instruktionen und gehen Sie sicher, dass das Gerät für die Anwendung geeignet ist. Überschreiten Sie auf keinen Fall die angegebenen Schalteleistungen, Druck- und Temperaturbereiche die für dieses Produkt angegebenen Spezifikationen.
- Lösen Sie die Spannungsversorgung, bevor Sie die elektrischen Anschlüsse verbinden, um eventuelle Schäden zu vermeiden.

### WARTUNG:

Püfen und Reinigen Sie die mediumberührenden Teile regelmässig. Der Gehäusedeckel sollte immer geschlossen bleiben, um die internen Komponenten frei von Schmutz und Staub zu halten. Unterbrechen Sie die Spannungsversorgung in explosionsgefährdeten Umgebungen, bevor Sie das Gerät öffnen.



<b>Beispiel</b>	V4	SS	3	1	6	C	F	2	S	1	V4-SS-316-C-F2S1
<b>Konstruktion</b>	V4										Messingkoerper, SPDT Schalter
<b>Konstruktions- Optionen</b>		SS 2 D U									316 Edelstahlkoerper Type 2 Koerperstil DPDT Schalter Universal Paddel nach Kundenwunsch
<b>Magnethalterung Material Optionen</b>			1 2 3								430 Edelstahl (Standard) Nickel 200 316 Edelstahl
<b>Paddelmaterial Optionen</b>				1 2 3 4 5							316 Edelstahl (Standard) Carpenter 20 Hastelloy B Hastelloy C Monel
<b>Gehaeusematerial Optionen</b>					1 2 3 4 5 6 7						Messing(Standard) Carpenter 20 CPVC* Hastelloy B Hastelloy C 316 Edelstahl (muss auch die anderen als Edelstahl haben Monel
<b>Andere Optionen</b>						AT SAA EPOXY FSV FTR HP HV MT MV NACE NB NH SW TBC TRD TRI V					ATEX SAA Konstruktion* Epoxy beschichtetes Gehaeuse Full Swing Vane Flow Test Report Hochdruck*, 5000 psi (345 bar) (Nur mit Edelstahlkoerper) Haengendes Paddel Hoch - Temperature* Gold Kontakte NACE Heat Treated Koerper* Neoprene Schutz* Kein elektrisches Gehaeuse* geschweisste Verbindungen* Klemmleiste* Zeitverzoegerungsrelais* (steigend) Zeitverzoegerungsrelais* (fallend) Vertikale Montage
<b>Flansche*</b>							F				Flanschanschluss
<b>Flanschgroesse</b>								2 2.5 3 4			2" 2-1/2" 3" 4"
<b>Flanschmaterial</b>									C S M B H		Stahl 316 Edelstahl Monel Hastelloy B Hastelloy C
<b>Flanschrade</b>										1 3 6 9	150# 300# 600# 900#
<b>Muffe*</b>							B				Muffenanschluss
<b>Muffengroesse</b>								1 2 4			2" 2-1/2" 4"
<b>Muffentyp</b>									H F		Hex Flush
<b>Muffenmaterial</b>										B C S 4	Messing Stahl 316 Edelstahl 304 Edelstahl
<b>T-Stueck*</b>							T				T-Stueck Anschluss
<b>T-Stueckgroesse</b>								1			1-1/2"
<b>T-Stueck mit Muffe*</b>							TB				T-Stueck mit Muffe
<b>T-Stueck</b>								2 3			2" 3"
<b>T-Stueck Material und Typ</b>										B0 B1 B2 C CP S P	Messing 125 # Messing 150 # Messing 250 # Stahl 200D # (Nur mit 2" und 3") CPVC SCH 80 316 Edelstahl 150 # PVC SCH 80

\* Optionen haben keine ATEX-Schutz

**Achtung:Geraete ohne -AT suffix sind nicht nach ATEX zertifiziert und duerfen nicht in explosionsgefaehrden Umgebungen eingesetzt werden.**

## INSTALLATION

- Entfernen Sie das Verpackungsmaterial und das Klebeband von der Magnethalterung. Prüfen Sie die Länge des Paddels und stellen die Länge auf Ihre Anwendung ein. Installieren Sie den Schalter in das Schraubteil, dass vorher am Rohr eingeschweisst wurde. Prüfen Sie vorher noch die Verschraubungen am Paddel. In manchen Fällen ist es notwendig den Durchfluswächter mittels eines T-Stückes oder Flansches zu befestigen. Es muss sehr sorgfältig darauf geachtet werden, dass beim Schweißen der Anschlüsse, diese sehr fest sitzen.

### EINSTELLUNG DER VERSCHIEDENEN PADDELLÄNGEN

Entfernen Sie die Paddel, die zu lang sind. Lassen Sie alle kürzeren Paddel am Schalter, um die gesamte Einrichtung zu verstärken. Das längste Paddel passt in einen Rohrdurchmesser von 150 mm oder größer, das Zweitlängste in ein Rohr mit 100 mm Durchmesser, usw. Die Ein- und Ausschaltpunkte entnehmen Sie der beigefügten Tabelle. Um die Paddel zu entfernen gehen Sie wie folgt vor:

- Entfernen Sie die zwei Schrauben und Unterlegscheiben, die Paddel zusammenhalten. Verlieren Sie auf keinen Fall diese Schrauben.
- Entfernen Sie nun die nicht benötigten Paddel
- Befestigen Sie die anderen Paddel wieder mit den zwei Schrauben.
- Schlagen Sie mit einem Hammer auf die Enden der beiden Schrauben, so dass sich diese nicht mehr lösen können.
- Wenn Sie die Schrauben oder Unterlegscheiben verlieren, ersetzen Sie diese nicht durch Schrauben, die in dem verwendeten Medium korrodieren können. Dadurch verlieren Sie die Garantie des Gerätes.

**Bemerkung:** Kundenspezifische Paddellängen sind direkt auf die Kundenanwendung kalibriert worden. Ändern Sie diese nicht mehr.

- Der Pfeil auf der Seite des Durchfluswächters muss in Richtung Durchfluß zeigen.
- Verdrahtung: UL und CSA Geräte: Führen Sie die Verbindungsdrähte durch die Durchführung und schliessen diese wie folgt an:  
Schwarz      Gemeinsamer Pol  
Blau          stromlos offen  
Rot            stromlos geschlossen

**Bemerkung:** DPDT Mikroschalter haben jeweils zwei schwarze, blaue und rote Drähte. Diese werden in der gleichen Weise angeschlossen wie bei einem SPDT Schalter.

Kabelanschluss nach EC-Type:

Das Gerät ist zugelassen in der Explosionsschutzklasse „d“ und einsetzbar in die-sen Umgebungsbedingungen und korrekt installiert. Es sollten Kabel und Kabelverschraubungen eingesetzt werden, die bis mindestens 80°C zugelassen sind.

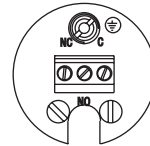
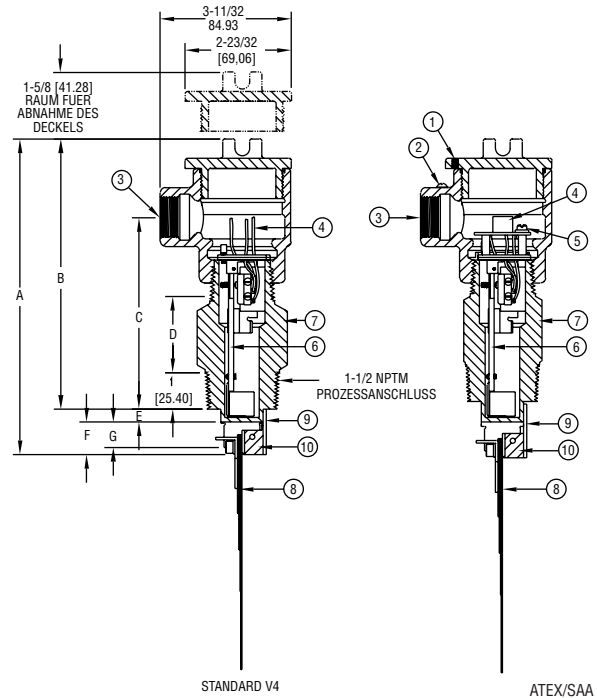
Gehäuseverschraubung:

Bei einem EEx d zertifiziertes Gerät muss unverzüglicher Zugang zu dem Inneren des Ge-häuses gewährleistet sein. Das Kabelmaterial und die Durchgangsdichtung sollten mindestens bis 80°C geeignet sein.

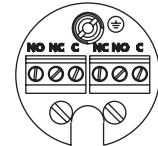
**Bemerkung:** Der Wächter ist deaktiviert und die Kontakte sind in normaler Schaltung, wenn sich die Flüssigkeit unterhalb des Schwimmers befindet.

- Prüfen Sie, dass die Gehäuseverschraubungen und Kabel entsprechend abgedichtet sind. Alle elektrischen Komponenten müssen öl- und fettfrei sein, wie auch frei von Kondensationsfeuchte. **ACHTUNG:** Um Zündfunken explosionsgefährdeter Umgebung zu verhindern, unterbrechen Sie die Spannungsversorgung, bevor Sie den Füllstandswächter öffnen. Halten Sie das Gerät beim Arbeiten immer geschlossen.

ATEX Geräte: Die Klasse „T“ ist abhängig entweder von der Mediumtemperatur oder von der Umgebungstemperatur, je nachdem welche höher ist. Die zertifizierten Temperaturen sind -20°C < T<sub>Um</sub> < 75°C T<sub>6</sub>. Der Füllstandswächter darf in einer maximalen Umgebungs- oder Mediumtemperatur von 75°C eingesetzt werden.



TERMINAL CONNECTIONS  
SPDT



TERMINAL CONNECTIONS  
DPDT

Abmess.	V4 in (mm)	V4-2 in (mm)
A	8-3/16 (207.96)	8 (203.20)
B	6 (152.40)	6-3/4 (171.45)
C	4-11/16 (119.06)	3-15/16 (100.01)
D	1 (25.40)	1-3/4 (44.45)
E	1-5/16 (33.34)	9/16 (14.30)
F	7/8 (22.23)	11/16 (17.63)
G	11/16 (17.46)	1/2 (12.70)

Ref #	Standard V4	ATEX/SA
1	N/A	Deckelschloss
2	N/A	Externe Erdung
3	Explosionsschutztes Geh. 3/4" NPTF Anschluss-verbinding	Explosionsschutztes Geh. 3/4" NPTF Anschluss-verbinding
4	16 AWG, 6" (152 mm) long.	Klemmleiste
5	Intern	Interne Erdung
6	Magnetarm und Schalter	Magnetarm und Schalter
7	Gehaeuse aus Messing oder 316 Edelstahl	Gehaeuse aus Messing oder 316 Edelstahl
8	5-lagiges Paddel, 316 Edelstahl fuer 1/2 bis 8 Rohrdurchmesser, auch fuer groessere Rohre geeignet	5-lagiges Paddel, 316 Edelstahl fuer 1/2 bis 8 Rohrdurchmesser, auch fuer groessere Rohre geeignet
9	Magnethalter aus 430 Edelstahl	Magnethalter aus 430 Edelstahl
10	Paddelblock aus 316 Edelstahl	Paddelblock aus 316 Edelstahl

## V4 Universal Vane Flow Charts

Values shown in both charts are nominal. If normal flows exceed actuation rates by less than 10%, custom vanes are recommended. Figures are based on standard vertical installation in a 1-1/2" throdolet in a horizontal run of pipe.

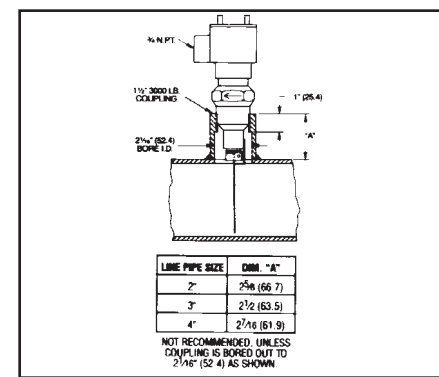
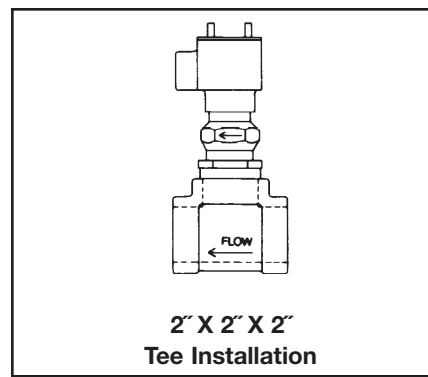
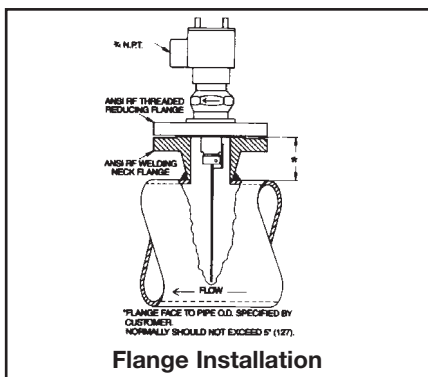
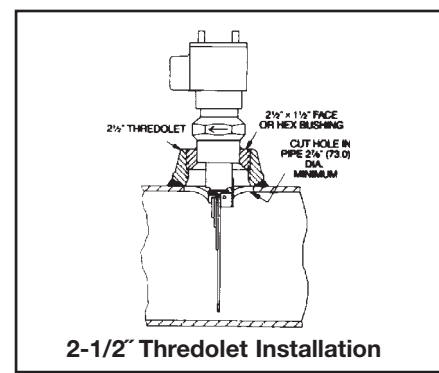
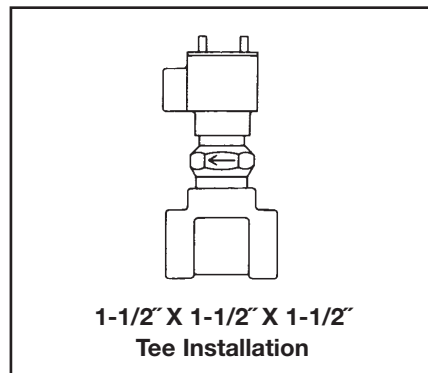
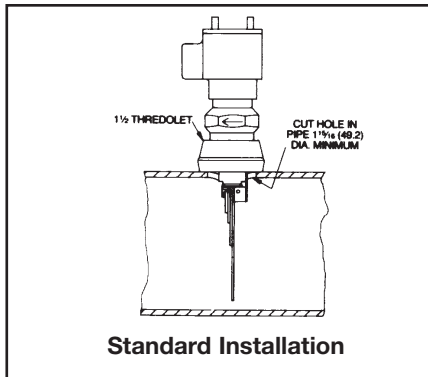
APPROXIMATE ACTUATION/DEACTUATION FLOW RATES FOR COLD WATER. UPPER FIGURES IN GPM. LOWER FIGURES IN LPM												
VANE LAYERS	1.5"PIPE	2"PIPE	3"PIPE	4"PIPE	6"PIPE	8"PIPE	10"PIPE	12"PIPE	14"PIPE	16"PIPE	18"PIPE	20"PIPE
1	7-3 26.67-11.67	15-8 56.7-30	45-22 167-83.3	95-40 367-150	210-120 800-450	375-175 1417-667	600-300 2267-1133	900-450 3400-1700	1200-600 4550-2267	1400-800 5300-3033	2000-1000 7567-3783	2400-1200 9083-4550
1&2		7-4 26.7-15	23-14 86.7-53.3	50-35 190-132	130-90 500-333	230-150 867-567	450-250 1700-950	650-350 2467-1317	900-500 3400-1900	1200-650 4550-2467	1450-800 5483-3033	1800-1000 6817-3783
1,2,&3			11-7 41.7-26.7	27-19 102-71.7	80-60 300-233	160-115 600-433	300-180 1133-683	450-275 1700-1033	600-350 2267-1317	750-450 2750-2083	1000-600 3783-2267	1200-700 4550-2650
1,2,3,&4				17-12 65-45	60-45 233-167	120-90 450-333	230-150 867-567	310-200 1167-750	430-280 1633-1067	550-360 2083-1367	700-450 2650-1700	850-550 3217-2083
1,2,3,4,&5					40-30 152-113	80-65 300-250	135-100 517-383	200-140 750-533	290-200 1100-750	360-250 1367-950	460-325 1733-1233	575-400 2183-1517

Actuation rates are based on cold water at a specific gravity of 1.0. For fluids of different specific gravity, actuation rates may be approximated by dividing the rate shown by the square root of the specific gravity.

APPROXIMATE ACTUATION/DEACTUATION FLOW RATES FOR AIR. UPPER FIGURES IN SCFM. LOWER FIGURES IN LPS												
VANE LAYERS	1.5"PIPE	2"PIPE	3"PIPE	4"PIPE	6"PIPE	8"PIPE	10"PIPE	12"PIPE	14"PIPE	16"PIPE	18"PIPE	20"PIPE
1	32-17 15-8	65-32 30-20	210-105 100-50	400-200 190-90	950-475 450-220	1550-850 730-400	2400-1300 1100-600	3450-1900 1600-900	4700-2600 2200-1200	6400-3500 3000-1700	8000-4400 3800-2100	10000-5500 4700-2600
1&2		23-13 10-6	120-70 60-30	195-140 90-70	550-375 260-180	1100-700 520-330	1850-1200 870-570	2700-1750 1300-800	3400-2200 1600-1000	4800-3100 2300-1500	6000-3900 2800-1800	7400-4800 3500-2300
1,2,&3			60-48 30-20	135-100 60-50	375-265 180-130	725-500 340-240	1200-850 570-400	1850-1300 870-610	2600-1800 1200-800	3350-2350 1600-1100	4300-3000 2000-1400	5300-3700 2500-1700
1,2,3,&4				65-50 30-20	260-200 120-90	500-400 240-190	875-700 410-330	1250-1000 590-470	1900-1500 900-710	2500-2000 1200-900	3100-2500 1500-1200	3900-3100 1800-1500
1,2,3,4,&5					130-100 60-50	310-250 150-120	650-525 310-250	1000-800 470-380	1600-1250 760-590	2200-1750 1040-830	2800-2250 1300-1100	3550-2850 1700-1300

Actuation rates are based on air at standard conditions. For gases at other pressures, temperatures, or specific gravities, consult factory for equivalent flow approximations.

### APPLICATION DRAWINGS FOR FLOTECT® AUTOMATIC FLOW SWITCHES



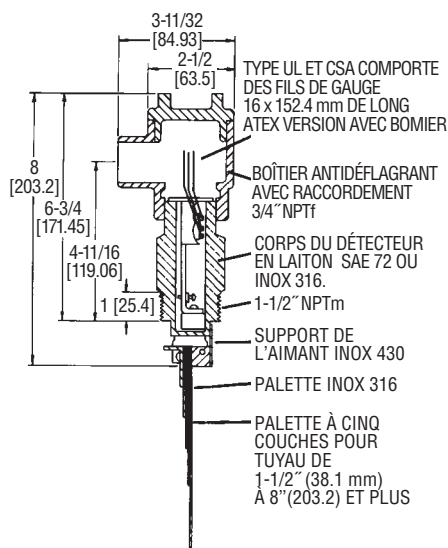




Modele  
V4

**FLOTECT®** Détecteur de débit

**Spécifications – Instructions d'installation et de fonctionnement**



**Robuste et fiable le détecteur de débit V4** se met en marche automatiquement pour protéger matériels et systèmes des dommages dus à la diminution ou la perte de débit. Installé dans des milliers de pipe-line et d'usine dans le monde entier. Ce détecteur à actionnement magnétique donne d'excellente performance. Il n'y a ni soufflet, ressort ou joint pouvant provoquer des dysfonctionnement, la pale attire l'aimant monté dans le corps et actionne le contact au moyen d'un simple levier.

### CARACTÉRISTIQUES

- Corps usiné dans la masse évitant les fuites
- Choix de pale spécifique pour votre application type V4 ou pale multi-couche ajustable Type V4-2U (voir tableau des seuils page 4)
- Étanche NEMA 4
- Antidéflagrant (voir liste spécification)
- Installation directe et facile sur tuyau avec pièce fileté à souder, Tê ou bride (voir page 4 schéma d'installations)
- Utilisation de tuyau 1-1/2" et plus.
- L'ensemble électrique peut être remplacé sans démonter l'appareil de l'installation et ainsi ne pas arrêter le système.
- Maximum de pression 69 bar avec corps laiton et 138 bar corps inox 316.

### APPLICATIONS

- Protection des pompes, moteurs et autres équipements contre les débits faibles ou inexistant.
- Contrôle progressif des pompes
- Démarrage automatiques des pompes et moteurs (auxiliaires)
- Stop les moteurs, machines et systèmes à refroidissement à eau quand le débit de liquide de refroidissement est interrompu.
- Ferme le brûleur quand l'air ne traverse plus la bobine chauffante.
- Contrôle les ressorts de rappel en fonction du débit.

### SPECIFICATIONS

**Utilisation:** Gaz et liquides compatibles avec matériaux humidifiés.

**Matériaux humidifiés:**

**Palette:** Inox 316.

**Corps:** Laiton ou inox 316 (standard).

**Armature aimant:** Inox 430 standard ou inox 316 en option.

**Options:** Autres matériaux possibles nous consulter (ex : PVC, Hastelloy, Nickel, Monel, Titane).

**Températures limites:** -20 à 135°C en standard, Version MT Haute température 205°C (Indisponible pour UL, CSA, ATEX ou SAA.).

**Pressions limites:** Corps en laiton 69 bar, corps inox 138 bar, option 345 bar valable pour corps inox 316 et contact SPDT seulement.

**Protection:** Étanche et anti-déflagrant. Aux normes UL et CSA Classe I Groupe C et D ; Classe II Groupe E, F et G ATEX **CE** 0344 **Ex** II 2 G EEx d IIB T6 -20°C ≤ Tamb ≤ 75°C Certificat CE n° : KEMA 03ATEX2383.

Homologué SAA Exd II C T6 (température ambiante 60°C) Zone I. Aussi qualifié FM.

**Micro-contact:** Standard contact SPDT, option contact DPDT.

**Pouvoir de coupure:** Modèles UL, FM, ATEX et SAA 10A-125/250 Vca (V~). Modèles CSA: 5A-125/250 Vca (V~); 5A résistif, 3A inductif 30 Vcc (V=). Option MV: 1A-125 Vca (V~), 1A résistif 0,5A inductif -30 Vcc (V=). Option MT: 5A-125/250 Vca (V~). Option MT et MV non normalisée UL, CSA, FM, SAA ou ATEX).

**Connexions électriques:** Modèles UL et CSA: Câble 18AWG, lg152mm; Modèles ATEX et SAA : bornier.

**Raccordement électrique:** 3/4" NPTf.

**Raccordement tuyauterie:** 1-1/2" NPTm.

**Montage:** A +/-5° de la verticale en fonctionnement normal. Appareil pour montage horizontal sur commande (tuyauterie verticale avec débit montant).

**Réglage seuil:** Palette universelle: 5 combinaisons de palettes.

**Poids:** 1.9 kg.

### Notes:

- Vérifier tous les paramètres donnés sur le produit et les instructions pour être sûr que le produit répond à votre application. Ne pas dépasser les limites électriques, de pression ou de température du produit.
- Déconnecter l'alimentation avant l'installation pour prévenir tout risque de dommage de l'équipement et chocs électriques.

### MAINTENANCE

Inspecter et nettoyer les parties humidifiées à intervalles réguliers. Le couvercle doit être en place pour protéger les composants internes des saletés, poussières et intempéries et maintenir le niveau antidéflagrant. Pour prévenir toute explosion en atmosphère à risque déconnecter l'appareil du circuit d'alimentation avant ouverture.

<b>Exemple</b>	V4	SS	3	1	6	C	F	2	S	1	V4-SS-316-C-F2S1
<b>Construction</b>	V4										Corps laiton – contact SPDT
<b>Options Construction</b>		SS 2 D U									Corps inox 316 Corps type 2 Contact DPDT Palette universelle (à supprimer pour palette spéciale)
<b>Armature Aimant</b>			1 2 3								Inox 430 (standard) Nickel 200 Inox 316
<b>Matière palette</b>				1 2 3 4 5							Inox 316 (standard) Carpenter 20 Hastelloy B Hastelloy C Monel
<b>Matériaux Du Corps</b>					1 2 3 4 5 6 7						Laiton (standard) Carpenter 20 CPVC* Hastelloy B Hastelloy C Inox 316 (ensemble complet inox) Monel
<b>Autres Options</b>						AT SAA EPOXY FSV FTR HP HV MT MV NACE NB NH SW TBC TRD TRI V					ATEX Construction SAA* Boîtier revêtement époxy Palette pleine à mouvement 180° (spécifique) Fourni avec PV contrôle débit Haute pression ( 345 bar) (uniquement version inox)* Palette à charnière (version avec bride) Haute température (voir spécifications)* Relais à contacts dorés (voir spécifications)* NACE traitement thermique du corps* Enveloppe néoprène* Pas de boîtier électrique* Corps à souder* Bornier * Relais temporisé (débit croissant)* Relais temporisé (débit décroissant)* Application pour débit vertical vers le haut
<b>Bride *</b>							F				Bride de raccordement tuyauterie
<b>Taille De la Bride</b>								2 2.5 3 4			2" 2"1/2 3" 4"
<b>Matériaux De la Bride</b>									C S M B H		Acier carbone Inox 316 Monel Hastelloy B Hastelloy C
<b>Diamètre Résistance Bride</b>										1 3 6 9	150# (LBS) 300# (LBS) 600# (LBS) 900# (LBS)
<b>Réducteur *</b>							B				Raccordement avec pièce fileté sur tuyauterie
<b>Taille du réducteur</b>								1 2 4			2" 2-1/2" 4"
<b>Type de Réducteur</b>									H F		Hexagonal Affleurant
<b>Matériaux du réducteur</b>										B C S 4	Laiton Acier carbone Inox 316 Inox 304
<b>Té*</b>							T				Raccordement tuyauterie par Té
<b>Taille du Té</b>								1			1-1/2"
<b>Té avec Réducteur</b>							TB				Té avec filetage pour raccordement tuyauterie ( mêmes matières)
<b>Taille du Té</b>								2 3			2" 3"
<b>Matériaux Du Té</b>										B0 B1 B2 C CP S P	Laiton125# (LBS) Laiton150# (LBS) Laiton250# (LBS) Acier carbone 2000#(uniquement sur 2" et 3" PVC SCH80 au carbone Inox 316 150# (LBS) PVC SCH80

\* Option non homologuées ATEX

Attention : appareils sans suffixe AT ne sont pas suivant la directive 94/9/EC (ATEX). Les appareils ne peuvent être utilisés en atmosphère à risque en Europe. Ceux-ci peuvent être marqués CE selon d'autres directives européennes.

## INSTALLATION

- Enlever les emballages du détecteur et le ruban de l'armature de l'aimant. ajuster la longueur de la palette si nécessaire, uniquement sur la palette multi-couches (voir tableau des débits en dernière page). Installer le détecteur dans le 'thrédolet' préalablement soudé au tuyau. Dans certains cas, il peut être nécessaire d'installer le détecteur avec une bride ou un Té (voir dessin en dernière page).  
Note : Un grand soin doit être apporté à la soudure de l'accessoire sur le tuyau de sorte qu'il soit perpendiculaire à celle-ci.

### RÉGLAGE DE LA PALETTE MULTI-COUCHES

Rétirer seulement les couches trop longues. Laisser les couches les plus petites pour renforcer la palette.

La palette la plus longue est pour un tuyau de 150mm ou plus, la deuxième longueur de palette pour un tuyau de 100mm etc.... Niveau d'enclenchement et de désenclenchement sont donnés dans le tableau en dernière page. Pour retirer les couches de la palette, procéder comme suit

- Enlever deux vis et rondelles grower assemblant les couches. Ne pas perdre les vis et rondelle en inox 316 résistant spécialement à la corrosion.
- Enlever les couches non nécessaires
- Remonter la palette avec les 2 vis et rondelles grower.
- Avec un marteau, marteler légèrement la tête des vis de sorte qu'elles ne puissent pas bouger
- Si vous perdez les vis et les rondelles, ne remplacer pas ces pièces par des pièces pouvant se corroder ou se casser. Le remplacement supprimera la garantie et peut causer de gros dégâts aux équipements placés en aval du détecteur.

**Note:** les palettes spécifiques sont calibrées en usine pour répondre aux demandes. Ne pas leur faire subir de modifications

- La flèche sur le côté du détecteur doit être dans le sens du débit.
- Câblage: Modèle UL et CSA seulement ; enfiler les fils de câblage à travers les conduits et les raccorder suivant le code électrique en vigueur

Noir : commun

Bleu : NO (Normalement ouvert)

Rouge : NC (Normalement fermé)

**Note:** Double pôle, détecteur double avec 2 fils noirs, 2 bleu et 2 rouge. A connecter comme simple pôle, comme ci-dessus

Certifié CE Instruction d'installation

Câble de connection

Le câble d'entrée doit être certifié EEx d approprié aux conditions d'utilisation et convenablement installé. Le câble et le presse étoupe utilisés doivent tenir une température minimum de 80°C.

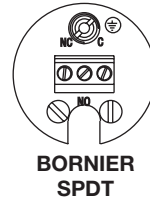
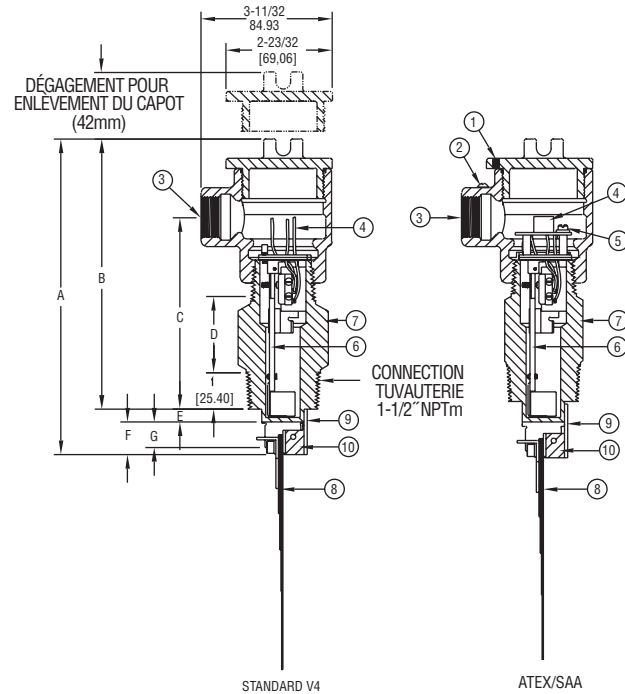
Connexion du presse étoupe

Un scellement certifié EEx d approprié aux conditions d'utilisations et correctement utilisé directement à l'entrée du boîtier électrique. Le scellement et le câble doivent tenir une température minimum de 80°C.

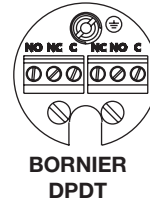
**Note:** le détecteur est désactivé et les contacts en positions normales quand le débit est inexistant.

- S'assurer que le conduit et câble sont correctement scellés. Les composants électriques doivent être constamment à l'abri des moisissures et de la condensation. **Attention:** pour prévenir toute explosion en atmosphère à risque, déconnecter l'alimentation de l'appareil avant l'ouverture. Maintenir l'appareil fermé en fonctionnement.

**Note:** appareils certifiés ATEX: la classe de température est déterminée par la température maximum ou moyenne du système. La classe T6 correspond à  $-20^{\circ}\text{C} \leq T_{\text{amb}} \leq 75^{\circ}\text{C}$ . L'appareil doit être utilisé à une température maximum autorisé ou moyenne de 75°C



**BORNIER SPDT**



**BORNIER DPDT**

Dim	V4 in (mm)	V4-2 in (mm)
A	8-3/16 (207.96)	8 (203.20)
B	6 (152.40)	6-3/4 (171.45)
C	4-11/16 (119.06)	3-15/16 (100.01)
D	1 (25.40)	1-3/4 (44.45)
E	1-5/16 (33.34)	9/16 (14.30)
F	7/8 (22.23)	11/16 (17.63)
G	11/16 (17.46)	1/2 (12.70)

Ref #	Standard V4	ATEX/SAA
1	N/A	Fermeture couvercle
2	N/A	Masse externe
3	Boîtier antidéflagrant avec connection tuyauterie 3/4" NPTf	Boîtier antidéflagrant avec connection tuyauterie 3/4" NPTf
4	Câble 16 AWG longueur 152mm	Bornier
5	Interne	Masse interne
6	Ensemble armature aimant et micro-contact	Ensemble armature aimant et micro-contact
7	Détecteur en laiton SAE72 ou inox 316	Détecteur en laiton SAE72 ou inox 316
8	Palette 5 couches, inox 316. Destiné à des tuyau de 1/2 à 8". Utilisable pour des tuyaux plus large.	Palette 5 couches, inox 316. Destiné à des tuyau de 1/2 à 8". Utilisable pour des tuyaux plus large.
9	Armature aimant en inox 430	Armature aimant en inox 430
10	Bloc palette en inox 316	Bloc palette en inox 316

## Tableau des débits pour palette V4 universelle

Les valeurs des deux tableaux sont nominales. Si les débits normaux n'excèdent pas 10% du seuil d'activation, des palettes spécifiques sont recommandées. Les chiffres sont données pour une installation standard verticale dans un ' thrédolet ' 1-1/2" dans un tuyau d'écoulement horizontal.

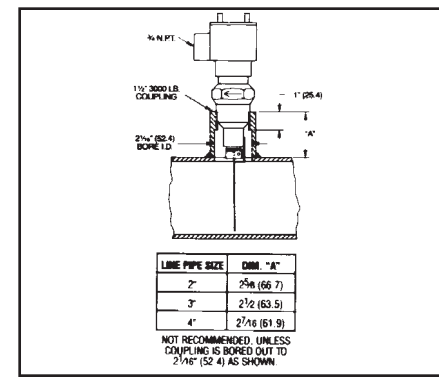
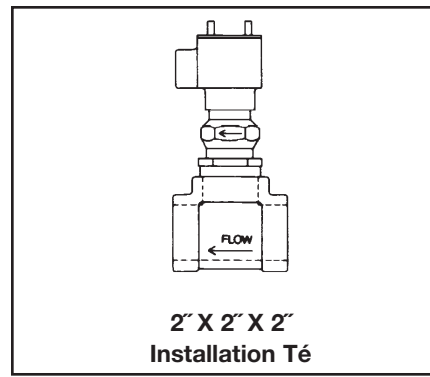
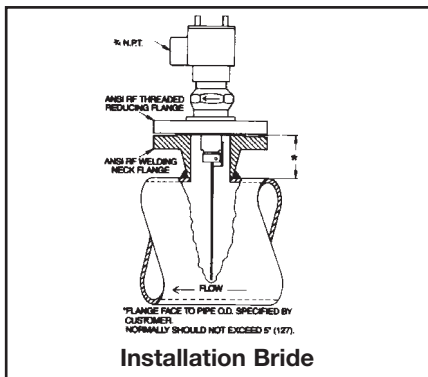
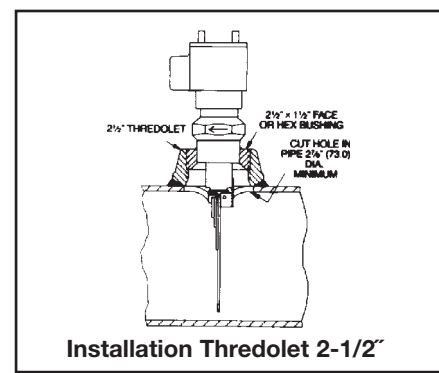
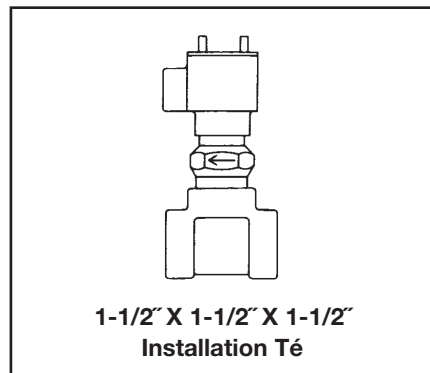
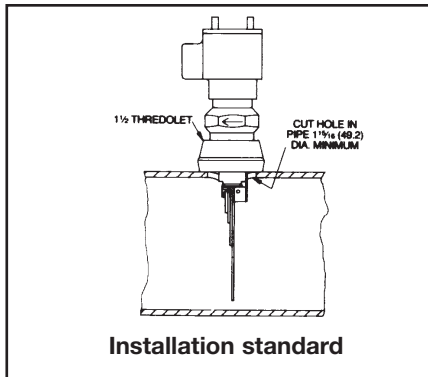
Taux approximatifs d'activation – désactivation du débit pour l'eau froide Chiffres supérieurs en GPM et chiffres inférieurs en LPM												
Couches de la palette	Tuyau 38.1mm 1.5"	Tuyau 50.8mm 2"	Tuyau 76.2mm 3"	Tuyau 101.6mm 4"	Tuyau 152.4mm 6"	Tuyau 203.2 mm 8"	Tuyau 254 mm 10"	Tuyau 304.8 mm 12"	Tuyau 355.6 mm 14"	Tuyau 406.4 mm 16"	Tuyau 457.2 mm 18"	Tuyau 508 mm 25"
1	7-3 26.67-11.67	15-8 56.7-30	45-22 167-83.3	95-40 367-150	210-120 800-450	375-175 1417-667	600-300 2267-1133	900-450 3400-1700	1200-600 4550-2267	1400-800 5300-3033	2000-1000 7567-3783	2400-1200 9083-4550
1&2		7-4 26.7-15	23-14 86.7-53.3	50-35 190-132	130-90 500-333	230-150 867-567	450-250 1700-950	650-350 2467-1317	900-500 3400-1900	1200-650 4550-2467	1450-800 5483-3033	1800-1000 6817-3783
1,2,&3			11-7 41.7-26.7	27-19 102-71.7	80-60 300-233	160-115 600-433	300-180 1133-683	450-275 1700-1033	600-350 2267-1317	750-450 2750-2083	1000-600 3783-2267	1200-700 4550-2650
1,2,3,&4				17-12 65-45	60-45 233-167	120-90 450-333	230-150 867-567	310-200 1167-750	430-280 1633-1067	550-360 2083-1367	700-450 2650-1700	850-550 3217-2083
1,2,3,4,&5					40-30 152-113	80-65 300-250	135-100 517-383	200-140 750-533	290-200 1100-750	360-250 1367-950	460-325 1733-1233	575-400 2183-1517

Les taux d'activation sont basés sur une densité de 1 pour l'eau froide. Pour les fluides de densités différentes, le taux d'activation peut être approché en divisant le taux donné par la racine carrée de la densité.

Taux approximatifs d'activation – désactivation du débit pour l'air Chiffres supérieurs en SCFM et chiffres inférieurs en LPS												
Couches de la palette	Tuyau 38.1mm 1.5"	Tuyau 50.8mm 2"	Tuyau 76.2mm 3"	Tuyau 101.6mm 4"	Tuyau 152.4mm 6"	Tuyau 203.2 mm 8"	Tuyau 254 mm 10"	Tuyau 304.8 mm 12"	Tuyau 355.6 mm 14"	Tuyau 406.4 mm 16"	Tuyau 457.2 mm 18"	Tuyau 508 mm 25"
1	32-17 15-8	65-32 30-20	210-105 100-50	400-200 190-90	950-475 450-220	1550-850 730-400	2400-1300 1100-600	3450-1900 1600-900	4700-2600 2200-1200	6400-3500 3000-1700	8000-4400 3800-2100	10000-5500 4700-2600
1&2		23-13 10-6	120-70 60-30	195-140 90-70	550-375 260-180	1100-700 520-330	1850-1200 870-570	2700-1750 1300-800	3400-2200 1600-1000	4800-3100 2300-1500	6000-3900 2800-1800	7400-4800 3500-2300
1,2,&3			60-48 30-20	135-100 60-50	375-265 180-130	725-500 340-240	1200-850 570-400	1850-1300 870-610	2600-1800 1200-800	3350-2350 1600-1100	4300-3000 2000-1400	5300-3700 2500-1700
1,2,3,&4				65-50 30-20	260-200 120-90	500-400 240-190	875-700 410-330	1250-1000 590-470	1900-1500 900-710	2500-2000 1200-900	3100-2500 1500-1200	3900-3100 1800-1500
1,2,3,4,&5					130-100 60-50	310-250 150-120	650-525 310-250	1000-800 470-380	1600-1250 760-590	2200-1750 1040-830	2800-2250 1300-1100	3550-2850 1700-1300

Les taux d'activation sont basés sur des conditions normales pour l'air. Pour des gaz à d'autres pressions, température ou densité différente, consulter l'usine pour obtenir les équivalents approximatifs des débits.

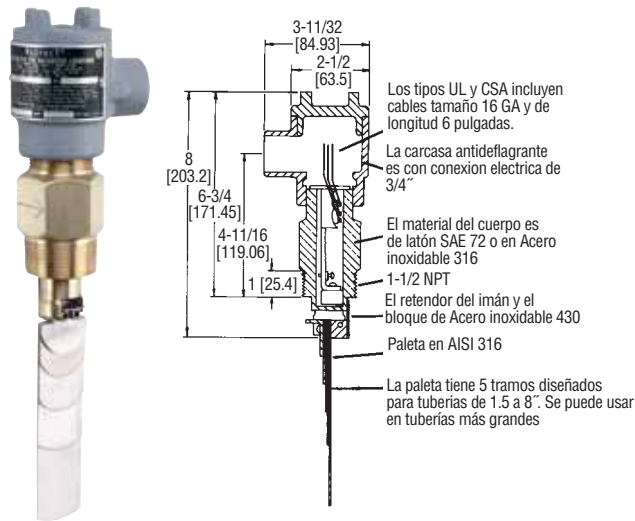
### Illustrations d'installations de détecteurs automatiques de débit FLOTECT





## Serie V4 FLOTECT® Interruptor de Caudal

### Especificaciones – Instrucciones de Instalación y Operación



El interruptor de caudal Flotec V4 opera automáticamente para proteger a los equipos y sistemas de tuberías contra el daño producido por el aumento o descenso del caudal. El V4, sobradamente probado, se ha instalado en miles de tuberías y plantas de procesos en todo el mundo. El diseño único del contacto le confiere una actuación superior. No existen muelles, resortes, o sellos que se puedan romper. En su lugar, una paleta de libre movimiento atrae a un imán al cuerpo del metal sólido, actuando el contacto de un nivel de alarma.

#### CARACTERÍSTICAS

- Cuerpo a prueba de fugas
- Elegir la paleta apropiada para cada aplicación
- Weatherproof, diseñado para NEMA 4, IP66
- Explosionproof (listado incluido en las especificaciones)
- Instalación directa y fácil en la tubería con rosca "t" o brida (ver dibujos en página 4)
- Se puede usar en tuberías a partir de 1-1/2"
- El equipo eléctrico se puede sustituir sin quitar la unidad de la instalación, así el proceso no tiene que pararse
- Rating de alta presión 1000 psig (69 bar) para las unidades con cuerpo de latón de 2000 psig (138 bar) para las de cuerpo de 316 SS.

#### APLICACIONES

- Protección a bombas, motores y otros equipos contra el caudal alto o bajo
- Controles secuenciales de operaciones de bombas
- Arranques automáticos de bombas y motores
- Paradas en sistemas de refrigeración en motores, máquinas y procesos cuando se produce una interrupción en el fluido del refrigerante
- Paradas de quemadores cuando deja de pasar el aire a través del calentador
- Control de detenciones de acuerdo con el caudal

#### ESPECIFICACIONES

**Servicio:** Gases o líquidos compatibles con los materiales de las partes mojadas.

#### Materiales de las partes mojadas:

**Paleta:** 316 SS

**Cuerpo:** Latón o 316 SS.

**Imán:** 430 SS estándar, opcional 316 SS.

**Opciones:** Consultar a fábrica para disponibilidad de otros materiales (PVC, hastelloy, nickel, monel, titanio).

**Límite de temperatura:** -4 +275°F (-20 +135°C) estándar, opción de alta temperatura hasta 400°F (205°C) (La opción MT no es UL, CSA, ATEX ni SAA).

**Límite de presión:** Cuerpo de latón 1000 psig (69 bar), cuerpo de 316 SS 2000 psig (138 bar), opcional 5000 psig (345 bar) disponible con cuerpo 316 SS y contacto SPDT únicamente.

**Rating de protección:** Weatherproof y explosionproof.

Certificación UL y CSA para Clase I, Grupos C y D, Clase II, Grupos E, F y G. ATEX CE 0344 Ex II 2 G EEx d IIB T6 - 20°C < Tamb < 75°C EC-Certificado tipo N° KEMA 03ATEX 2383. SAA: Exd II C T6 (T amb = 60°C). Zona I. También aprobado FM.

**Tipo de contacto:** SPDT snap switch estándar, opcional DPDT snap switch.

**Rating eléctrico:** Modelos UL, FM, ATEX y SAA 10A @ 125/250 VAC (V~). Modelos CSA: 5A @ 125/250 VAC (V~); 5A res., 3A ind. @ 30 VDC (V=). Opción MV: 1A @ 125 VAC (V~); 1A res., .5A ind. @ 30 VDC (V=). Opción MT: 5A @ 125/250 VAC (V~). [La opción MT no es UL, CSA, ATEX ni SAA].

**Conexiones eléctricas:** Modelos UL y CSA: 16 AWG, longitud: 6" (152 mm.) Unidades ATEX y SAA: bloque de terminales.

**Conductos eléctrico:** 3/4" NPT-H.

**Conexión a proceso:** 1-1/2" NPT-M.

**Orientación de montaje:** En 5° de la orientación vertical apropiada. Existen modelos disponibles para montajes horizontales.

**Ajuste de punto de disparo:** Paleta universal. Cinco combinaciones posibles.

**Peso:** 4 lb 8 oz (1,9 kg).

#### Notas:

- Comprobar los ratings dados en las instrucciones y en el producto para asegurarse de que el equipo es el adecuado para la aplicación. No exceder de los ratings eléctricos, ratings de presión, o ratings de temperatura del producto.
- Desconectar la alimentación antes de empezar la instalación para prevenir posibles daños en el equipo o picos eléctricos.

#### MANTENIMIENTO

Inspeccionar y limpiar las partes húmedas con regularidad. La tapadera debe estar en su sitio siempre para proteger los componentes internos de suciedad, polvo, y el tiempo, y para mantener los ratings de localizaciones peligrosas. Desconectar el equipo de los circuitos de alimentación antes de abrirlo para evitar ignición de atmósfera explosiva.



<b>Ejemplo</b>	V4	SS	3	1	6	C	F	2	S	1	V4-SS-316-C-F2S1
<b>Construcción</b>	V4										Cuerpo de latón, contacto SPDT
<b>Opciones de construcción</b>		SS 2 D U									Cuerpo 316 SS Estilo de cuerpo tipo 2 Contacto DPDT Paleta universal (omitir para paletas especiales)
<b>Opciones de material del imán</b>			1 2 3								430 SS (estándar) Nickel 200 316 SS
<b>Opciones de material de la paleta</b>				1 2 3 4 5							316 SS (estándar) Carpenter 20 Hastelloy B Hastelloy C Monel
<b>Opciones de material del cuerpo</b>					1 2 3 4 5 6 7						Latón (estándar) Carpenter 20 CPVC* Hastelloy B Hastelloy C 316 SS Monel
<b>Otras opciones</b>						AT SAA EPOXY FSV FTR HP HV MT MV NACE NB NH SW TBC TRD TRI V					ATEX Construcción SAA* Alojamiento con epoxi Paleta con completo desplazamiento Informe de test de caudal Presión alta*, 5000 psi (345 bar) (solo con cuerpo en SS) Paleta de bisagra Alta temperatura* (ver especificaciones para el rating) Interruptor con contactos dorados* (ver especificaciones para el rating) Cuerpo NACE* Boot de neopreno* Alojamiento no eléctrico* Conexión soldada* Conexiones eléctricas en un bloque terminal* Relé de retardo de actuación* (en descenso de caudal) Relé de retardo de actuación* (en ascenso de caudal) Aplicaciones verticales
<b>Brida*</b>							F				Conexión a proceso bridada
<b>Tamaño de la brida</b>								2 2.5 3 4			2" 2-1/2" 3" 4"
<b>Material de la brida</b>									C S M B H		Acero carbono 316 SS Monel Hastelloy B Hastelloy C
<b>Rating de la brida</b>										1 3 6 9	150# 300# 600# 900#
<b>Casquillo*</b>							B				Conexión a proceso del casquillo
<b>Tamaño del casquillo</b>								1 2 4			2" 2-1/2" 4"
<b>Tipo de casquillo</b>									H F		Hexagonal Superficial
<b>Material del casquillo</b>										B C S 4	Latón Acero carbono 316 SS 304 SS
<b>"T"*</b>							T				Conexión de proceso con "T"
<b>Tamaño de la "T"</b>								1			1-1/2"
<b>"T" con casquillo*</b>							TB				Conexión a proceso de "T" con casquillo (igual material ambos)
<b>Tamaño de la "T"</b>								2 3			2" 3"
<b>Material y tipo de la "T"</b>										B0 B1 B2 C CP S P	Latón 125 # Latón 150 # Latón 250 # Acero carbono 2000 # (solo con 2" y 3") CPVC SCH 80 316 SS 150 # PVC SCH 80

\* Opciones que no tienen ATEX

**Atención:** Las unidades sin el sufijo "AT" no cumplen con la Directiva 94/9/EC (ATEX). Estas unidades no son válidas para uso en atmósferas potencialmente peligrosas en Europa. Estas unidades pueden ser marcadas con "CE" para otras Directivas de Europa.

## INSTALACIÓN:

1. Quitar el material del embalaje del interruptor y quitar la tapa del protector del imán. Ajustar la longitud de la paleta si fuera necesario, solamente en paletas de múltiples capas (ver los rangos de caudal en la página siguiente). Instalar el interruptor en el ajuste previamente soldado a la línea. En algunos casos, es necesario instalar el interruptor en una brida o una "T" (ver dibujos de instalación en la página siguiente).  
Nota: al soldar el ajuste a la línea, extremar la precaución ya que debe estar totalmente nivelado.

### AJUSTE DE LA PALETA DE MÚLTIPLES HOJAS:

Quitar sólo las hojas que sean demasiado largas. Dejar las hojas pequeñas para reforzar la paleta. La hoja más larga es de 6" (150 mm), la segunda de 4" (100 mm), ...Los rangos de actuación/deactuación se muestran en la página siguiente. Para quitar las hojas, proceder como se indica:

- a. Quitar los dos tornillos que mantienen las hojas unidas. No perder estos tornillos resistentes a la corrosión, en AISI316.
- b. Quitar las hojas que no sean necesarias.
- c. Reasegurar la paleta con los tornillos originales.
- d. Con un martillo, golpear suavemente el final de los tornillos para que no se puedan soltar.
- e. Si pierde los tornillos no los sustituya por otros cualquiera que se puedan corrosionar o romper. Esto anularía la garantía y puede causar daño en el equipo.

**Nota:** Las unidades con paleta personalizada deben calibrarse en fábrica para ajustarse a los requerimientos. No cambiar.

2. La punta de la flecha del lateral debe apuntar en la dirección del caudal.
3. Cableado: Unidades UL y CSA: llevar los cables a través de los agujeros de conexión y conectar. Cablear de acuerdo con los códigos locales eléctricos.  
Negro - Común  
Azul - Normalmente abierto  
Rojo - Normalmente cerrado

**Nota:** El micro DPDT tiene dobles cables negros, azules y rojos. Están conectados de la misma forma que los de SPDT descritos arriba.

Instrucciones de instalación Certificado CE:

Conexión del cable

La entrada del cable debe ser un prensaestopas certificado EEx d, adecuado para las condiciones de uso y correctamente instalado. Tanto el prensaestopas como el cable deben soportar una temperatura mínima de 80°C.

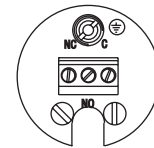
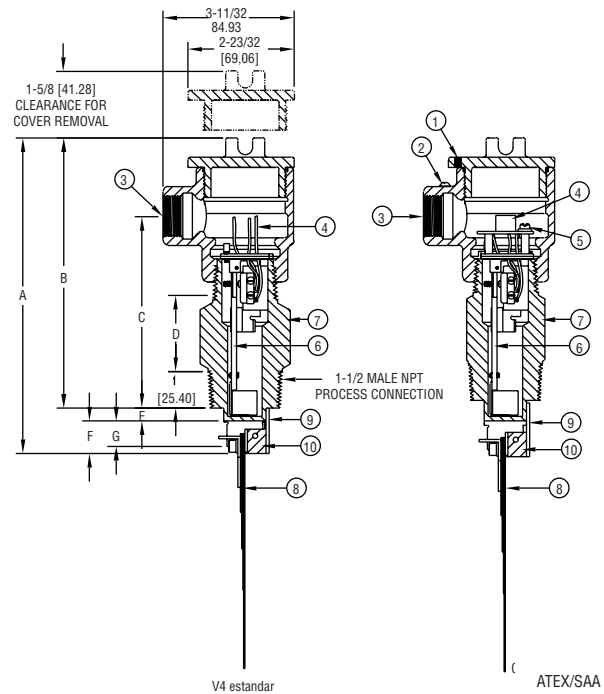
Conexión del conducto

Para la entrada del alojamiento eléctrico se debe suministrar un mecanismo de cierre EEx d, con componentes adecuados para las condiciones de uso y correctamente instalados.

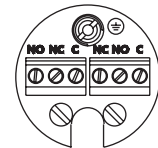
**Nota:** El interruptor se desactiva y los contactos están en condición normal cuando no haya caudal en la línea.

4. Asegurarse que los conductos o cables están correctamente sellados. Los componentes eléctricos deben mantenerse libres de humedad, incluida la condensación, en todo momento. Precaución: para prevenir la ignición en atmósferas explosivas, desconectar el equipo de la alimentación antes de abrirlo. Mantener la carcasa firmemente cerrada cuando el equipo esté funcionando.

**Nota:** Sólo unidades ATEX: La temperatura está determinada por la máxima ambiente o la del medio/proceso. Los rangos aprobados son: T6-20<Tamb<75°C. El producto se puede utilizar en una temperatura máxima ambiente o de proceso de 75°C.



CONEXIONES TERMINAL  
SPDT



CONEXIONES TERMINAL  
DPDT

Dim	V4 in(mm)	V4-2 in(mm)
A	8-3/16 (207.96)	8 (203.20)
B	6 (152.40)	6-3/4 (171.45)
C	4-11/16 (119.06)	3-15/16 (100.01)
D	1 (25.40)	1-3/4 (44.45)
E	1-5/16 (33.34)	9/16 (14.30)
F	7/8 (22.23)	11/16 (17.63)
G	11/16 (17.46)	1/2 (12.70)

Ref #	Standard V4	ATEX/SAA
1	N/A	Cierre de bloqueo.
2	N/A	Tierra externo.
3	Alojamiento explosion proof con conducto de conexión de 3/4" NPT-H.	Alojamiento explosion proof con conducto de conexión de 3/4" NPT-H.
4	16 AWG, 6" (152 mm) de longitud.	Bloque terminal
5	Interno	Tierra interno.
6	Brazo imantado y contacto de montaje.	Brazo imantado y contacto de montaje.
7	Cuerpo SAE 72 acero o acero inoxidable 316 SS.	Cuerpo SAE 72 acero o acero inoxidable 316 SS.
8	Paleta de 5 hojas, en acero inox 316 SS, diseñada para tuberías desde 1/2" a 8".	Paleta de 5 hojas, en acero inox 316 SS, diseñada para tuberías desde 1/2" a 8".
9	Retenedor del iman de Acero inoxidable 430.	Retenedor del iman de Acero inoxidable 430.
10	Bloque de hojas de acero inox 316 SS.	Bloque de hojas de acero inox 316 SS.

## Tablas de Caudal de V4

Los valores mostrados son nominales. Si el caudal normal excede en los rangos de actuación por lo menos en us 10%, se recomiendan paletas personalizadas. Los datos se basan en una instalación vertical para tuberías horizontales.

RANGOS DE CAUDAL DE ACTUACION/DEACTUACION APROXIMADA PARA AGUA FRIA VALORES SUPERIORES EN GPM. VALORES INFERIORES EN LPM												
HOJAS DE PALETA	Tubería 1.5"	Tubería 2"	Tubería 3"	Tubería 4"	Tubería 6"	Tubería 8"	Tubería 10"	Tubería 12"	Tubería 14"	Tubería 16"	Tubería 18"	Tubería 20"
1	7-3 26.67-11.67	15-8 56.7-30	45-22 167-83.3	95-40 367-150	210-120 800-450	375-175 1417-667	600-300 2267-1133	900-450 3400-1700	1200-600 4550-2267	1400-800 5300-3033	2000-1000 7567-3783	2400-1200 9083-4550
1&2		7-4 26.7-15	23-14 86.7-53.3	50-35 190-132	130-90 500-333	230-150 867-567	450-250 1700-950	650-350 2467-1317	900-500 3400-1900	1200-650 4550-2467	1450-800 5483-3033	1800-1000 6817-3783
1,2,&3			11-7 41.7-26.7	27-19 102-71.7	80-60 300-233	160-115 600-433	300-180 1133-683	450-275 1700-1033	600-350 2267-1317	750-450 2750-2083	1000-600 3783-2267	1200-700 4550-2650
1,2,3,&4				17-12 65-45	60-45 233-167	120-90 450-333	230-150 867-567	310-200 1167-750	430-280 1633-1067	550-360 2083-1367	700-450 2650-1700	850-550 3217-2083
1,2,3,4,&5					40-30 152-113	80-65 300-250	135-100 517-383	200-140 750-533	290-200 1100-750	360-250 1367-950	460-325 1733-1233	575-400 2183-1517

Rangos de actuación basados en agua fría con peso específico de 1.0. Para fluidos con diferente peso específico los rangos de actuación pueden aproximarse dividiendo la cifra mostrada por la raíz cuadrada del peso específico.

RANGOS DE CAUDAL DE ACTUACION/DEACTUACION APROXIMADA PARA AIRE VALORES SUPERIORES EN SCFM. VALORES INFERIORES EN LPS												
HOJAS DE PALETA	Tubería 1.5"	Tubería 2"	Tubería 3"	Tubería 4"	Tubería 6"	Tubería 8"	Tubería 10"	Tubería 12"	Tubería 14"	Tubería 16"	Tubería 18"	Tubería 20"
1	32-17 15-8	65-32 30-20	210-105 100-50	400-200 190-90	950-475 450-220	1550-850 730-400	2400-1300 1100-600	3450-1900 1600-900	4700-2600 2200-1200	6400-3500 3000-1700	8000-4400 3800-2100	10000-5500 4700-2600
1&2		23-13 10-6	120-70 60-30	195-140 90-70	550-375 260-180	1100-700 520-330	1850-1200 870-570	2700-1750 1300-800	3400-2200 1600-1000	4800-3100 2300-1500	6000-3900 2800-1800	7400-4800 3500-2300
1,2,&3			60-48 30-20	135-100 60-50	375-265 180-130	725-500 340-240	1200-850 570-400	1850-1300 870-610	2600-1800 1200-800	3350-2350 1600-1100	4300-3000 2000-1400	5300-3700 2500-1700
1,2,3,&4				65-50 30-20	260-200 120-90	500-400 240-190	875-700 410-330	1250-1000 590-470	1900-1500 900-710	2500-2000 1200-900	3100-2500 1500-1200	3900-3100 1800-1500
1,2,3,4,&5					130-100 60-50	310-250 150-120	650-525 310-250	1000-800 470-380	1600-1250 760-590	2200-1750 1040-830	2800-2250 1300-1100	3550-2850 1700-1300

Rangos de actuación basados en condiciones estándar de aire. Para gases a otras presiones, temperaturas o peso específico, consultar a fábrica para equivalencias de caudal.

### ESQUEMAS DE INSTALACION PARA INTERRUPTORES DE CAUDAL FLOTEC

